



see what Delta can do™

106363



X00106363

GLASS RINSER  
ENJUAGADOR DE VASOS  
RINCE-VERRES

MODEL/MODELO/MODÈLE \_\_\_\_\_

▲Specify Finish/Especifique el Acabado/Précisez le Fini

Register Online  
Regístrese en línea  
S'enregistrer en ligne  
www.deltafaucet.com/registerme

To reference replacement parts and access additional technical documents and product info, visit [www.deltafaucet.com](http://www.deltafaucet.com)

Para referencia sobre las piezas de repuesto y acceder a documentos técnicos adicionales e información del producto, visite [www.deltafaucet.com](http://www.deltafaucet.com)

Pour obtenir la référence des pièces de rechange ainsi que pour avoir accès à d'autres documents techniques et renseignements sur le produit, allez à [www.deltafaucet.com](http://www.deltafaucet.com)

1-800-345-3358  
customerservice@deltafaucet.com

Read all instructions prior to installation.

**CAUTION**

Failure to read these instructions prior to installation may result in personal injury, property damage, or product failure. Manufacturer assumes no responsibility for product failure due to improper installation.

Lea todas las instrucciones antes de hacer la instalación.

**ADVERTENCIA**

El no leer estas instrucciones de instalación puede resultar en lesiones personales, daños a la propiedad, o falla en el funcionamiento del producto. El fabricante no asume ninguna responsabilidad por la falla del producto debido a una instalación incorrecta.

Veuillez lire toutes les instructions avant l'installation.

**AVERTISSEMENT**

L'omission de lire les présentes instructions avant l'installation peut entraîner des blessures, des dommages matériels ou le bris du produit. Le fabricant se dégage de toute responsabilité à l'égard d'un bris du produit causé par une mauvaise installation.

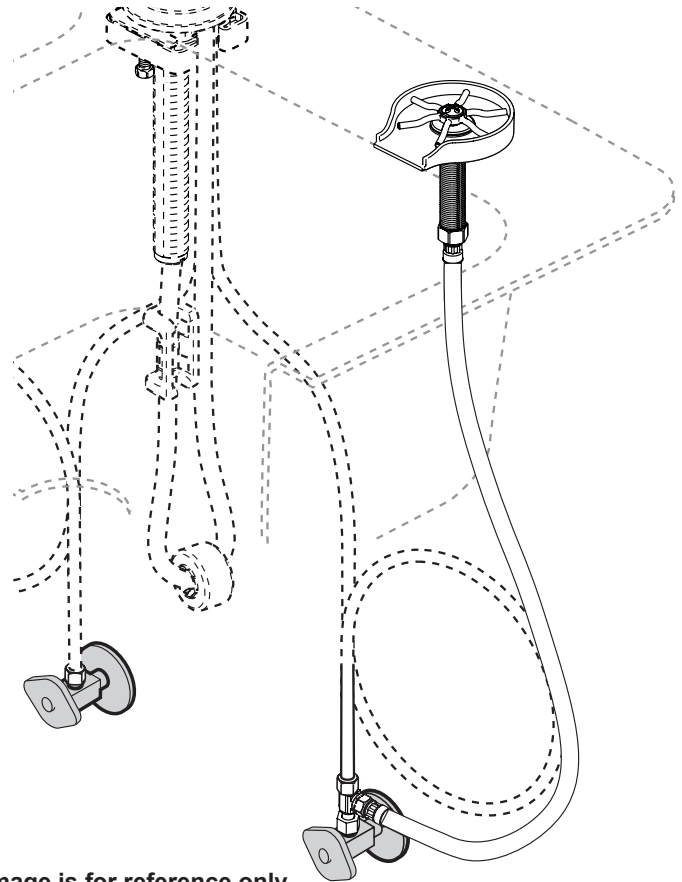
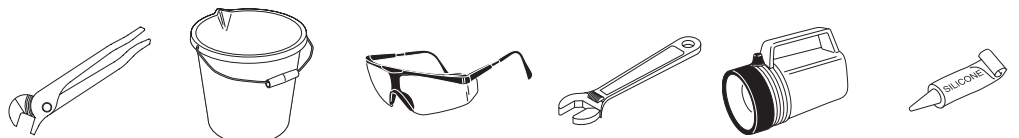


Image is for reference only.  
La imagen es sólo para referencia.  
L'image est fournie à titre indicatif seulement.

You may need:  
Usted puede necesitar:  
Articles dont vous pouvez avoir besoin :



**Cleaning and Care**

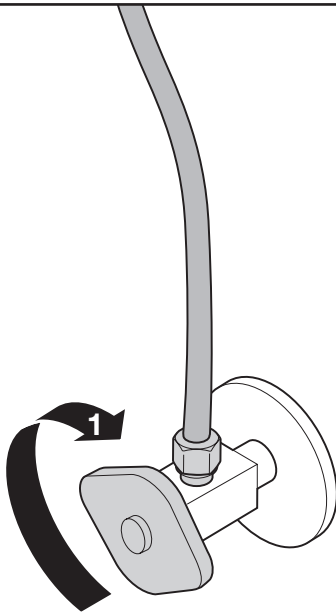
Care should be given to the cleaning of this product. Although its finish is extremely durable, it can be damaged by harsh abrasives or polish. To clean, simply wipe gently with a damp cloth and blot dry with a soft towel.

**Limpieza y Cuidado de su Llave**

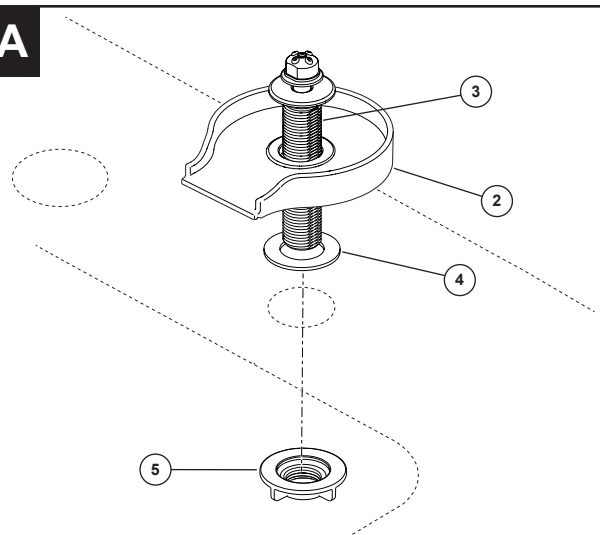
Tenga cuidado al limpiar este producto. Aunque su acabado es sumamente durable, puede ser afectado por agentes de limpieza o para pulir abrasivos. Para limpiar su llave, simplemente frótela con un trapo húmedo y luego séquela con una toalla suave.

**Instructions de nettoyage**

Il faut le nettoyer avec soin. Même si son fini est extrêmement durable, il peut être abîmé par des produits fortement abrasifs ou des produits de polissage. Il faut simplement le frotter doucement avec un chiffon humide et le sécher à l'aide d'un chiffon doux.

**1**

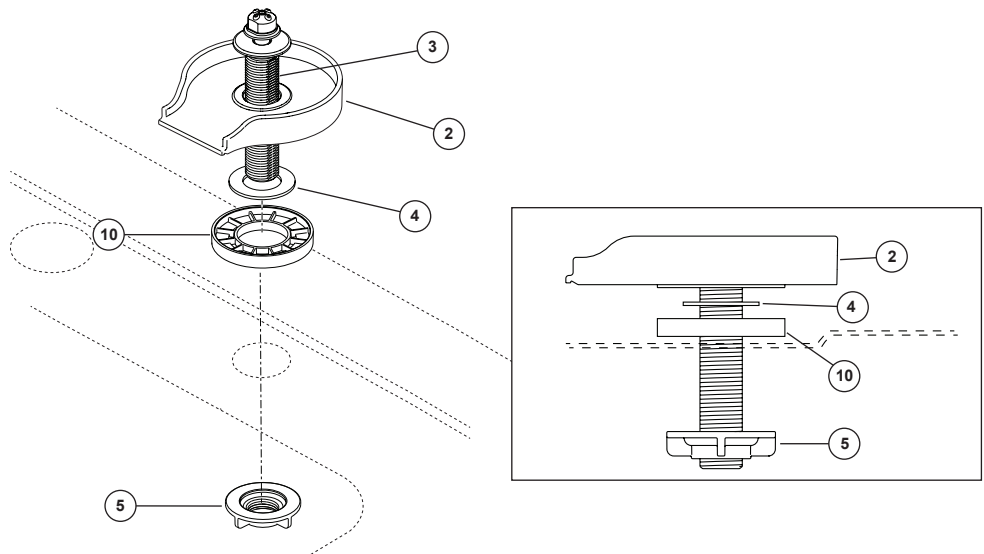
Turn off hot and cold water supplies at angle stops.  
 Cierre los suministros de agua fría y caliente en los topes esquinales.  
 Interrompez l'arrivée d'eau chaude et d'eau froide aux robinets d'arrêt angulaires.

**2A**

Slide mounting shank (3) through base (2) and steel support washer (4) from above. Support washer (4) if provided, sits on top of sink. Lower this assembly through sink from above. Ensure base is aligned with sink and outlet extends into basin prior to fully tightening mounting nut (5).

Desde arriba, deslice la espiga de montaje (3) a través de la base (2) y la arandela de soporte de acero (4). La arandela de soporte (4) si la tiene, va colocada en la parte superior del fregadero. Baje este ensamble a través del fregadero desde la parte superior. Asegúrese de que la base esté alineada con el fregadero y que el tubo de salida de agua se extienda hacia dentro del fregadero antes de apretar completamente la tuerca de montaje (5).

Introduisez le manchon de montage (3) dans la base (2) et la rondelle d'appui en acier (4) par le haut. La rondelle d'appui (4) si fournie, repose sur le dessus de l'évier. Abaissez cet ensemble dans l'évier. Assurez-vous que la base est positionnée correctement par rapport à l'évier et que la sortie fait saillie dans le bac avant de serrer l'écrou de montage (5) à fond.

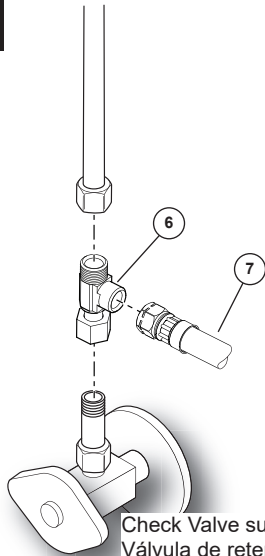
**2B**

**For Sinks With Raised Ledges**  
**Para fregaderos con orillas elevadas**  
**Pour les éviers à bords relevés**

Sinks with raised ledges may require the optional spacer (10). Slide mounting shank (3) through base (2) and steel support washer (4) from above. Support washer (4) sits on top of optional spacer (10). Lower this assembly through sink from above. Ensure base is aligned with sink and outlet extends into basin prior to fully tightening mounting nut (5).

Fregaderos con la orillas altas pueden requerir un separador opcional (10). Deslice la espiga de montaje (3) a través de la base (2) y la arandela de soporte de acero (4) desde la parte superior o de arriba. La arandela de soporte (4) se asienta sobre el separador opcional (10). Baje este ensamble a través del fregadero desde la parte superior o arriba. Asegúrese de que la base esté alineada con el fregadero y que el tubo de salida de agua se extienda hacia dentro del fregadero antes de apretar completamente la tuerca de montaje (5).

Pour les éviers à bords relevés, la pièce d'espacement (10) facultative peut être requise. Introduisez le manchon de montage (3) dans la base (2) et la rondelle d'appui en acier (4). La rondelle d'appui (4) repose sur le dessus de la pièce d'espacement facultative (10). Abaissez cet ensemble dans l'évier. Assurez-vous que la base est positionnée correctement par rapport à l'évier et que la sortie fait saillie dans le bac avant de serrer l'écrou de montage (5) à fond.

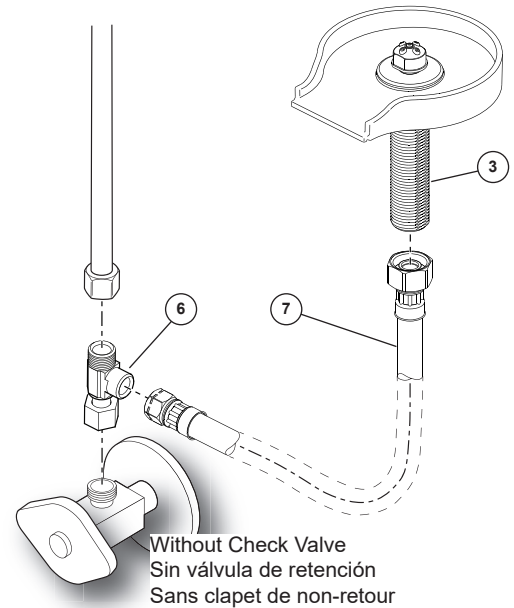
**3**

Check Valve supplied with Delta Touch<sub>2</sub>O<sup>®</sup> faucet  
 Válvula de retención suministrada con la llave de agua Delta Touch<sub>2</sub>O<sup>®</sup>  
 Clapet de non-retour fourni avec le robinet Delta Touch<sub>2</sub>O<sup>®</sup>

**⚠ CAUTION**  
 Potential scald injury could result if you choose to supply your glass rinser with hot water.

**⚠ PRECAUCIÓN**  
 Se puede producir una lesión por escaldadura si elige suministrar agua de enjuague a su enjuague de vidrio.

**⚠ ATTENTION**  
 Si vous décidez d'alimenter votre rince-verre en eau chaude, celui-ci pourrait causer l'ébouillantage.

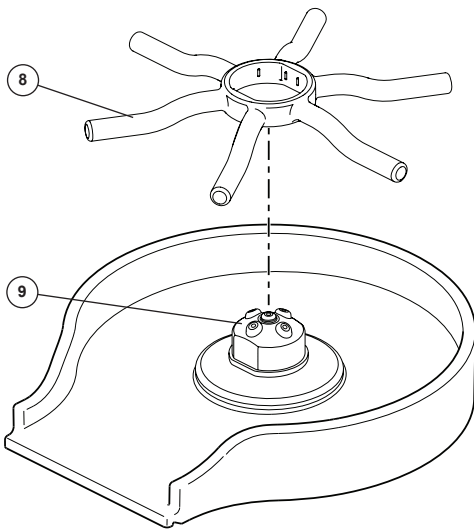


Without Check Valve  
 Sin válvula de retención  
 Sans clapet de non-retour

Determine whether you wish for your new glass rinser to be supplied by cold or hot water. Unthread existing faucet supply line from angle stop on the chosen side. Thread provided tee (6) onto angle stop in place of the supply line that was disconnected in the previous step. Thread both the faucet supply line and the 3/8" end of provided supply line (7) to tee. Thread the 1/2" end of provided supply line to mounting shank (3). Wrench may be used on shank flats to avoid rotation. When supply line is installed, check alignment and retighten mounting nut.

Determine si desea que su nuevo lava vasos sea suministrado con agua fría o caliente. Desenrosque la línea de suministro de la llave de agua existente del tope en la esquina en el lado elegido. Enrosque la te (6) provista en el tope en la esquina en lugar de la línea de suministro que se desconectó en el paso anterior. Enrosque la línea de suministro del grifo y el extremo de 3/8" de la línea de suministro provista (7) a la te. Rosque el extremo de 1/2" de la línea de suministro provista a la espiga de montaje (3).

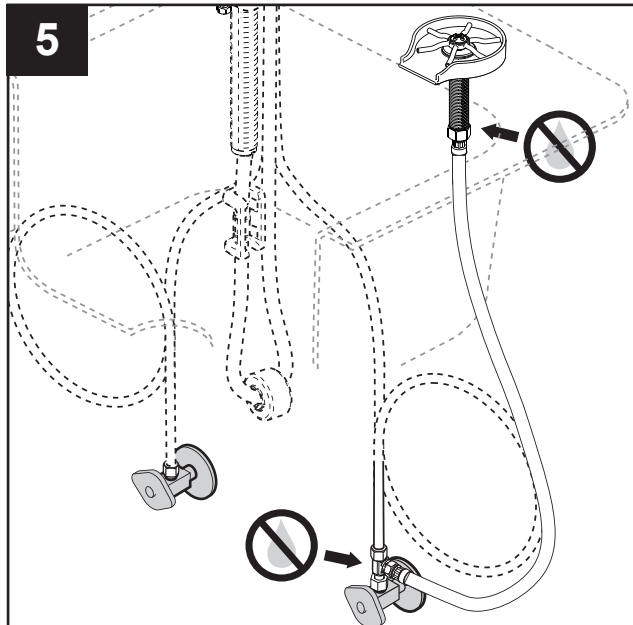
Déterminez si votre rince-verre sera alimenté en eau froide ou en eau chaude. Débranchez du robinet d'arrêt angulaire d'eau chaude ou d'eau froide, selon le cas, le tube qui alimente le robinet. Vissez le raccord en T (6) fourni sur le robinet d'arrêt à l'endroit où était branché le tube d'alimentation que vous avez débranché. Vissez le tube d'alimentation du robinet et l'extrémité de 3/8 po du tube d'alimentation fourni au raccord en T. Vissez le raccord de 1/2 po l'extrémité de du tube d'alimentation fourni sur le manchon de montage.

**4**

Align the locating features on the actuator arms (8) with those on the nozzle (9) and press actuator arms firmly into place on nozzle, oriented so the arms angle downward from the center. As needed, actuator arms can be removed for cleaning.

Alinee las piezas de ubicación en los brazos activadores del rocío (8) con las de la boquilla (9) y presione los brazos activadores firmemente en su lugar en la boquilla, orientados de tal manera que los brazos se inclinen hacia abajo a medida que dispersan desde el centro.

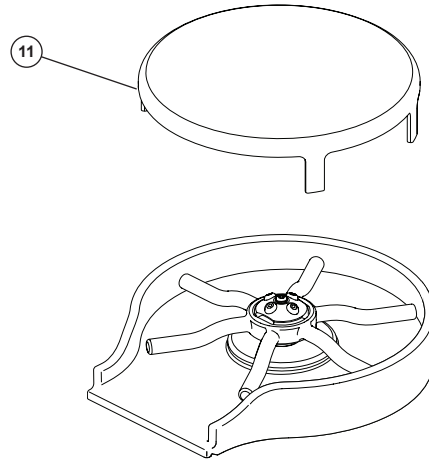
Faites correspondre les éléments de détrompage des bras de l'actionneur (7) et de l'ajutage (8), puis calez les bras de l'actionneur solidement sur l'ajutage. La courbure dans les bras à partir du centre doit être orientée vers le bas.

**5**

Turn on both water supplies at angle stops and check for leaks at all connections made during this installation.

Abra ambos suministros de agua en las paradas en ángulo y compruebe si hay fugas en todas las conexiones realizadas durante esta instalación.

Ouvrez les deux robinets d'arrêt et vérifiez l'étanchéité de tous les branchements que vous avez effectués au cours de l'installation.



The cover (11) can be set in place for aesthetic purposes and to prevent unintended activation when the glass rinser is not in use. The front of the cover is marked on the underside of cover for best fit.

La cubierta (11) se puede colocar en su lugar con fines estéticos y para evitar la activación involuntaria cuando no usa el lava vasos. La parte del frente de la cubierta está marcada en la parte de abajo de la cubierta para un mejor ajuste.

Vous pouvez mettre le couvercle (11) en place. Celui-ci joue un rôle esthétique et il empêche la mise en marche accidentelle du rince-verre lorsque celui-ci est inutilisé. La partie avant du couvercle est indiquée en dessous de celui-ci pour que vous puissiez l'installer correctement.

### Limited Warranty on Delta® Faucets

**Parts and Finish:** All parts (other than electronic parts and batteries) and finishes of Delta® faucets purchased from authorized Delta sellers are warranted to the original consumer purchaser to be free from defects in material and workmanship for as long as the original consumer purchaser owns the home in which the faucet was first installed. For commercial purchasers, (a) the warranty period is ten (10) years for multi-family residential applications and (b) five (5) years for all other commercial applications, in each case from the date that the product is received by the original purchaser or their authorized representative (installation contractor, etc.). For purposes of this warranty, the term "multi-family residential application" refers to the purchase of the faucet from an authorized Delta seller by a purchaser who owns but does not live in the residential dwelling in which the faucet is initially installed, such as in a rented or leased single unit or multi-unit detached home (duplex or townhome), or a condominium, apartment building or community living center. The following installations are not considered multi-family residential applications, are excluded from the 10-year warranty and are subject to the 5-year warranty: industrial, institutional or other business premises, such as a dormitory, hospitality premises (hotel, motel or extended stay location), airport, educational facility, long- or short-term healthcare facility (hospital, rehabilitation center, nursing, assisted or staged-care living unit), public space or common area.

**Parts and Finish for Delta® Recertified Faucets:** Delta Faucet Company offers for sale online Delta® Recertified faucets. Delta® Recertified faucets only include faucets that have been certified as such by Delta Faucet Company. All parts (other than electronic parts and batteries) and finishes of these Delta® Recertified faucets are warranted to the original consumer purchaser to be free from defects in material and workmanship for ten (10) years from the date that the product is received by the original purchaser or their authorized representative (installation contractor, etc.). For commercial purchasers, the warranty period is one (1) year from the date that the product is received by the original purchaser or their authorized representative (installation contractor, etc.).

**Electronic Parts:** Electronic parts (other than batteries), if any, of Delta® faucets purchased from [deltafaucet.com](http://deltafaucet.com) or authorized Delta sellers are warranted to the original consumer purchaser to be free from defects in material and workmanship for five (5) years from the date that the product is received by the original purchaser or their authorized representative (installation contractor, etc.) or, for commercial purchasers, for one (1) year from the date that the product is received by the original purchaser or their authorized representative (installation contractor, etc.). No warranty is provided on batteries.

**What We Will Do:** Delta Faucet Company will repair or replace, free of charge, during the applicable warranty period (as described above), any part or finish that proves defective in material and/or workmanship under normal installation, use and service. Delta Faucet Company may, in its sole discretion, use new, refurbished or recertified parts or products for such repair or replacement. If repair or replacement is not practical, Delta Faucet Company may elect to refund the purchase price in exchange for the return of the product. **These are your exclusive remedies.**

**What Is Not Covered:** Because Delta Faucet Company is unable to control the quality of Delta products sold by unauthorized sellers, unless otherwise prohibited by law, this warranty does not cover Delta products purchased from unauthorized sellers.

Any labor charges incurred by the purchaser to repair, replace, install or remove this product are not covered by this warranty. Delta Faucet Company shall not be liable for any damage to the faucet resulting from reasonable wear and tear, outdoor use, misuse (including use of the product for an unintended application), freezing water, abuse, neglect or improper or incorrectly performed installation, maintenance or repair, including failure to follow the applicable care and cleaning instructions. Delta Faucet Company recommends using a professional plumber for all installation and repair of faucets. We also recommend that you use only genuine Delta® replacement parts.

**What You Must Do To Obtain Warranty Service or Replacement Parts:** A warranty claim may be made and replacement parts may be obtained by calling 1 800 345 DELTA (3358) or by contacting us by mail or online as follows (please include your model number, date of original purchase and documentation of the date of receipt of the product by the original purchaser or their authorized representative (installation contractor, etc.):

**In the United States and Mexico:**  
Delta Faucet Company  
55 E. 111th Street  
Carmel, IN 46280  
Attention: Warranty Service  
[www.deltafaucet.com/service-parts/contact-us](http://www.deltafaucet.com/service-parts/contact-us)

**In Canada:**  
Masco Canada Limited, Plumbing Group  
Technical Service Centre  
350 South Edgeware Road  
St. Thomas, Ontario, Canada N5P 4L1  
Attention: Customer Service  
<http://www.deltafaucet.ca/customersupport/assistance.html>

Proof of purchase (original sales receipt showing purchase date) and documentation of the date of receipt of the product by the original purchaser or their authorized representative (installation contractor, etc.) from the original purchaser must be made available to Delta Faucet Company for all warranty claims unless the purchaser has registered the product with Delta Faucet Company or the product is a Delta® Recertified product purchased from [deltafaucet.com](http://deltafaucet.com). This warranty applies only to Delta® faucets manufactured after January 1, 2019 and installed in the United States of America, Canada and Mexico.

**Limitation on Duration of Implied Warranties:** Please note that some states/provinces (including Quebec) do not allow limitations on how long an implied warranty lasts, so the below limitations may not apply to you. TO THE MAXIMUM EXTENT PERMITTED BY APPLICABLE LAW, ANY IMPLIED WARRANTY, INCLUDING THE IMPLIED WARRANTIES OF MERCHANTABILITY AND OF FITNESS FOR A PARTICULAR PURPOSE, IS LIMITED TO THE STATUTORY PERIOD OR THE DURATION OF THIS WARRANTY, WHICHEVER IS SHORTER.

**Limitation of Special, Incidental or Consequential Damages:** Please note that some states/provinces (including Quebec) do not allow the exclusion or limitation of special, incidental or consequential damages, so the below limitations and exclusions may not apply to you. TO THE MAXIMUM EXTENT PERMITTED BY APPLICABLE LAW, THIS WARRANTY DOES NOT COVER, AND DELTA FAUCET COMPANY SHALL NOT BE LIABLE FOR, ANY SPECIAL, INCIDENTAL OR CONSEQUENTIAL DAMAGES (INCLUDING LABOR CHARGES TO REPAIR, REPLACE, INSTALL OR REMOVE THIS PRODUCT), WHETHER ARISING OUT OF BREACH OF ANY EXPRESS OR IMPLIED WARRANTY, BREACH OF CONTRACT, TORT, OR OTHERWISE. DELTA FAUCET COMPANY SHALL NOT BE LIABLE FOR ANY DAMAGE TO THE FAUCET RESULTING FROM REASONABLE WEAR AND TEAR, OUTDOOR USE, MISUSE (INCLUDING USE OF THE PRODUCT FOR AN UNINTENDED APPLICATION), FREEZING WATER, ABUSE, NEGLIGENCE OR IMPROPER OR INCORRECTLY PERFORMED INSTALLATION, MAINTENANCE OR REPAIR, INCLUDING FAILURE TO FOLLOW THE APPLICABLE INSTALLATION, CARE AND CLEANING INSTRUCTIONS. Notice to residents of the State of New Jersey: The provisions of this warranty, including its limitations, are intended to apply to the fullest extent permitted by the laws of the State of New Jersey.

**Additional Rights:** This warranty gives you specific legal rights, and you may also have other rights which vary from state/province to state/province. This is Delta Faucet Company's exclusive written warranty and the warranty is not transferable.

If you have any questions or concerns regarding our warranty, please contact us as provided above or view our Warranty FAQs at [www.deltafaucet.com](http://www.deltafaucet.com).

© 2023 Masco Corporation of Indiana

### Garantía limitada de las llaves de agua/grifos Delta® Faucet

**Piezas y Acabado:** Todas las piezas (excepto las piezas electrónicas y las baterías) y los acabados de las llaves de agua Delta® comprados a vendedores autorizados de Delta están garantizados para el comprador consumidor original estar libres de defectos de materiales y mano de obra durante el tiempo que el comprador consumidor original sea dueño de la casa en la que la llave de agua se instaló por primera vez. Para compradores comerciales, (a) el período de garantía es de diez (10) años para aplicaciones residenciales multifamiliares y (b) cinco (5) años para todas las demás aplicaciones comerciales, en cada caso a partir de la fecha en que el comprador original o su representante autorizado (contratista de instalación, etc.) recibió el producto. A los efectos de esta garantía, el término "aplicación residencial multifamiliar" se refiere a la compra de la llave de agua a un vendedor autorizado de Delta por parte de un comprador que es propietario pero no vive en la vivienda residencial en la que se instaló inicialmente la llave de agua, como en una unidad individual alquilada o arrendada o en una vivienda unifamiliar de varias unidades (dúplex o casa adosada), o en un condominio, edificio de apartamentos o centro de vivienda comunitaria. Las siguientes instalaciones no se consideran aplicaciones residenciales multifamiliares, están excluidas de la garantía de 10 años y están sujetas a la garantía de 5 años: instalaciones industriales, institucionales u otras instalaciones comerciales, como dormitorios, instalaciones de hospitalidad (hotel, motel o ubicación de estadia prolongada), aeropuerto, centro educativo, centro de atención médica a corto o largo plazo (hospital, centro de rehabilitación, enfermería, unidad de vivienda asistida o de atención por etapas), espacio público o área común.

**Piezas y acabados para llaves de agua recertificadas Delta® Recertified:** Delta Faucet Company ofrece a la venta en línea llaves de agua/grifos recertificados Delta®. Los grifos Recertificados de Delta® solo incluyen llaves de agua que han sido certificadas como tales por Delta Faucet Company. Todas las piezas (excepto las piezas electrónicas y las pilas) y los acabados de estas llaves Recertificadas de Delta® están garantizados al comprador consumidor original estar libres de defectos de materiales y de mano de obra durante diez (10) años a partir de la fecha en que el comprador original o su representante autorizado (contratista de instalación, etc.) recibió el producto. Para compradores comerciales, el período de garantía es de un (1) año a partir de la fecha en que el comprador original o su representante autorizado (contratista de instalación, etc.) recibió el producto.

**Partes electrónicas:** Se garantiza al comprador consumidor original que las piezas electrónicas (que no sean pilas), si las hubiera, de las llaves de agua Delta® compradas en [deltafaucet.com](http://deltafaucet.com) o a vendedores autorizados de Delta, estar libres de defectos de materiales y de mano de obra durante cinco (5) años a partir de la fecha en que el comprador original o su representante autorizado (contratista de instalación, etc.) recibió el producto o para compradores comerciales, durante un (1) año a partir de la fecha en que el comprador original o su representante autorizado (contratista de instalación, etc.) recibió el producto.  
No se proporciona garantía en las pilas.

**Lo que haremos:** Delta Faucet Company reparará o reemplazará, sin cargo, durante el período de garantía aplicable (como se describe anteriormente), cualquier pieza o acabado que resulte defectuoso en material y/o mano de obra en condiciones normales de instalación, uso y servicio. Delta Faucet Company puede, a su exclusivo criterio, usar piezas o productos nuevos, reacondicionados o recertificados para dicha reparación o reemplazo. Si la reparación o el reemplazo no son prácticos, Delta Faucet Company puede optar por reembolsar el precio de compra a cambio de la devolución del producto. Estos son sus remedios exclusivos.

**Lo que no está cubierto:** Debido a que Delta Faucet Company no puede controlar la calidad de los productos Delta vendidos por vendedores no autorizados, a menos que la ley lo prohíba, esta garantía no cubre los productos Delta comprados a vendedores no autorizados. Esta garantía no cubre los cargos de mano de obra incurridos por el comprador para reparar, reemplazar, instalar o quitar este producto. Delta Faucet Company no será responsable de ningún daño a la llave de agua/grifo que resulte del desgaste razonable, uso en exteriores, mal uso (incluido el uso del producto para una aplicación no deseada), agua helada, abuso, negligencia o instalación o mantenimiento inadecuados o realizados incorrectamente o reparación, incluido el incumplimiento de las instrucciones de cuidado y limpieza correspondientes. Delta Faucet Company recomienda llamar a un plomero profesional para toda la instalación y reparación de las llaves de agua. También le recomendamos que utilice únicamente piezas de repuesto originales de Delta®.

**Lo que debe hacer para obtener el servicio de garantía o las piezas de repuesto:** Se puede realizar un reclamo de garantía y obtener piezas de repuesto llamando al 1 800 345 DELTA (3358) o comunicándose con nosotros por correo o en línea de la siguiente manera (incluya su número de modelo, fecha de compra original y documentación con la fecha cuando el comprador original o su representante autorizado (contratista de instalación, etc.) recibió el producto):

**En los Estados Unidos y México:**  
Delta Faucet Company  
55 E. 111th Street  
Carmel, IN 46280  
Attention: Warranty Service  
[www.deltafaucet.com/service-parts/contact-us](http://www.deltafaucet.com/service-parts/contact-us)

**En Canadá:**  
Masco Canada Limited, Plumbing Group  
Technical Service Centre  
350 South Edgeware Road  
St. Thomas, Ontario, Canada N5P 4L1  
Attention: Customer Service  
<http://www.deltafaucet.ca/customersupport/assistance.html>

El comprobante de compra (recibo de venta original que muestre la fecha de compra) y la documentación con la fecha cuando el comprador original o su representante autorizado (contratista de instalación, etc.) recibió el producto deben estar disponibles para Delta Faucet Company para todos reclamos de garantía a menos que el comprador haya registrado el producto con Delta Faucet Company o el producto sea un producto Delta® Recertified comprado en [deltafaucet.com](http://deltafaucet.com). Esta garantía se aplica solo a las llaves de agua Delta® fabricadas después del 1 de enero de 2019 e instaladas en los Estados Unidos de América, Canadá y México.

**Limitación de la duración de las garantías implícitas:** Tenga en cuenta que algunos estados/provincias (incluido Quebec) no permiten limitaciones sobre la duración de una garantía implícita, por lo que es posible que las siguientes limitaciones no se apliquen en su caso. EN LA MEDIDA MÁXIMA PERMITIDA POR LA LEY APLICABLE, CUALQUIER GARANTÍA IMPLÍCITA, INCLUIDAS LAS GARANTÍAS IMPLÍCITAS DE COMERCIABILIDAD E IDONEIDAD PARA UN FIN DETERMINADO, SE LIMITA AL PERÍODO LEGAL O A LA DURACIÓN DE ESTA GARANTÍA, EL QUE SEA MÁS BREVE.

**Limitación de Daños Especiales, Incidentales o Consecuentes:** Tenga en cuenta que algunos estados/provincias (incluido Quebec) no permiten la exclusión o limitación de daños especiales, incidentales o consecuentes, por lo que es posible que las siguientes limitaciones y exclusiones no se apliquen en su caso. EN LA MEDIDA MÁXIMA PERMITIDA POR LA LEY APLICABLE, ESTA GARANTÍA NO CUBRE, Y DELTA FAUCET COMPANY NO SERÁ RESPONSABLE DE NINGÚN DAÑO ESPECIAL, INCIDENTAL O CONSECUENTE (INCLUIDOS LOS CARGOS DE MANO DE OBRA PARA REPARAR, REEMPLAZAR, INSTALAR O QUITAR ESTE PRODUCTO), YA SEA QUE SURJA FUERA DEL INCUMPLIMIENTO DE CUALQUIER GARANTÍA EXPRESA O IMPLÍCITA, INCUMPLIMIENTO DE CONTRATO, AGRAVIO U OTRO. DELTA FAUCET COMPANY NO SERÁ RESPONSABLE DE CUALQUIER DAÑO A LA LLAVE DE AGUA O RESULTANTE DEL DESGASTE Y DESGASTE RAZONABLE. USO AL AIRE LIBRE, USO INCORRECTO (INCLUYENDO EL USO DEL PRODUCTO PARA UNA APLICACIÓN NO DESEADA), AGUA CONGELADA, ABUSO, DESCUIDO O INSTALACIÓN O MANTENIMIENTO IMPROPIOS O REALIZADOS INCORRECTAMENTE O REPARACIÓN, INCLUYENDO EL INCUMPLIMIENTO DE LAS INSTRUCCIONES DE INSTALACIÓN, CUIDADO Y LIMPIEZA CORRESPONDIENTES.

Aviso para los residentes del Estado de Nueva Jersey: Las disposiciones de esta garantía, incluidas sus limitaciones, se aplicarán en la medida máxima permitida por las leyes del Estado de Nueva Jersey.

**Derechos adicionales:** Esta garantía le otorga derechos legales específicos, y es posible que también tenga otros derechos que varían de un estado/provincia a otro estado/provincia. Esta es la garantía escrita exclusiva de Delta Faucet Company, y la garantía no es transferible.

Si tiene alguna pregunta o inquietud con respecto a nuestra garantía, comuníquese con nosotros como se indicó anteriormente o visite en nuestro sitio web Preguntas Frecuentes FAQ en [www.deltafaucet.com](http://www.deltafaucet.com)

### Garantie limitée des robinets Delta®

**Pièces et finis:** Tous les pièces (autres que les composants électroniques et les piles) et les finis de ce robinet Delta® achetés chez des vendeurs Delta autorisés sont protégés contre les défauts de matériau et les vices de fabrication par une garantie qui est consentie au premier acheteur au détail et qui demeure valide tant que celui-ci demeure propriétaire de la maison dans laquelle le robinet a été installé. En ce qui concerne les acheteurs commerciaux, la période de garantie est a) de dix (10) ans pour les applications résidentielles multifamiliales et b) de cinq (5) ans pour toutes les autres applications commerciales, à compter, dans chaque cas, de la date de réception du produit par le premier acheteur ou son représentant autorisé (installateur, etc.). Dans le libellé de la présente garantie, on entend par « application résidentielle multifamiliale », un robinet acheté chez un vendeur Delta autorisé par un acheteur qui est propriétaire d'un logement résidentiel sans l'habiter et installé pour la première fois dans cet immeuble. Il peut s'agir d'un immeuble individuel comportant un ou plus d'un logement loué à court terme ou à long terme (duplex ou groupe de maisons en rangée), d'un condominium, d'un immeuble d'habitation ou d'un centre d'intégration communautaire. Les applications décrites ci-après ne sont pas considérées comme des applications multifamiliales et elles sont couvertes par la garantie de 5 ans plutôt que par la garantie de 10 ans. Ce sont les suivantes : robinets installés dans un bâtiment industriel, un bâtiment institutionnel et un autre immeuble commercial, notamment une résidence d'étudiants, un lieu d'hébergement (hôtel, motel ou lieu de séjour prolongé), un aéroport, un établissement d'enseignement, un établissement de soins de santé de courte ou de longue durée (hôpital, centre de réadaptation, maison de soins infirmiers), un endroit public ou un lieu commun.

**Pièces et finis des robinets recertifiés Delta®:** Delta Faucet Company offre en vente en ligne des robinets recertifiés Delta®. Les robinets recertifiés Delta® comprennent uniquement les robinets qui ont été certifiés à ce titre par Delta Faucet Company. Tous les pièces (autres que les pièces électroniques et les piles) et les finis de ces robinets Delta® recertifiés sont protégés contre les défauts de matériau et les vices de fabrication par une garantie qui est consentie au premier acheteur au détail et qui est d'une durée de dix (10) ans à compter de la date de réception du produit par le premier acheteur ou son représentant autorisé (installateur, etc.). En ce qui concerne les acheteurs commerciaux, la période de garantie est d'un (1) an à compter de la date de réception du produit par le premier acheteur ou son représentant autorisé (installateur, etc.).

**Composants électroniques:** Les composants électroniques (autres que les piles), le cas échéant, de ce robinet Delta® qui ont été achetés auprès de [deltafaucet.com](http://deltafaucet.com) ou de vendeurs Delta autorisés sont protégés contre les défauts de matériau et les vices de fabrication par une garantie consentie au premier acheteur au détail qui est de cinq (5) ans à compter de la date de réception du produit par le premier acheteur ou son représentant autorisé (installateur, etc.). En ce qui concerne les acheteurs commerciaux, la période de garantie est d'un (1) an à compter de la date de réception du produit par le premier acheteur ou son représentant autorisé (installateur, etc.). Les piles ne sont pas couvertes par la garantie.

**Ce que nous ferons:** Delta Faucet Company réparera ou remplacera gratuitement, pendant la période de garantie applicable (décrite ci-dessus), toute pièce ou tout fini qui présentera une défécuosité de matériau et/ou un vice de fabrication pour autant que le produit ait été installé, utilisé et entretenu normalement. Delta Faucet Company peut, à sa seule discrétion, utiliser des produits neufs, remis à neuf ou recertifiés ou des pièces neuves, remises à neuf ou recertifiées pour effectuer la réparation ou le remplacement. S'il n'est pas utile de réparer ou de remplacer le produit, Delta Faucet Company pourra rembourser le prix d'achat en échange du produit retourné. Il s'agit de vos seuls recours.

**Ce qui n'est pas couvert:** Étant donné que Delta Faucet Company n'est pas en mesure de contrôler la qualité des produits vendus par des vendeurs non autorisés, la présente garantie ne s'applique pas aux produits Delta vendus par des vendeurs non autorisés, à moins que cette restriction ne soit interdite par la loi.

La présente garantie ne couvre pas les frais de main-d'œuvre encourus par l'acheteur pour la réparation, le remplacement, l'installation ou la dépose du robinet. Delta Faucet Company se dégage de toute responsabilité à l'égard de toute détérioration du robinet résultant d'une usure raisonnable et des dommages causés par une utilisation à l'extérieur, un mauvais usage (y compris l'utilisation du produit à des fins autres que celles auxquelles il est destiné), le gel de l'eau, un usage abusif, la négligence ou l'utilisation d'une méthode d'installation, de maintenance ou de réparation incorrecte ou inadéquate, y compris les dommages résultant du non-respect des instructions de nettoyage et d'entretien applicables. Delta Faucet Company vous recommande de confier tous les travaux d'installation et de réparation à un plombier professionnel. Nous vous recommandons également d'utiliser uniquement des pièces de rechange Delta® authentiques.

**Ce que vous devez faire pour vous prévaloir de la garantie ou obtenir des pièces de rechange:** Vous pouvez présenter une réclamation en vertu de la garantie et obtenir des pièces de rechange en appelant au 1-800-345-DELTA (3358) ou en communiquant avec nous à l'une des adresses postales ou des adresses de courriel indiquées ci-dessous (veuillez fournir le numéro de modèle, la date de l'achat initial et la documentation attestant la date de réception du produit par le premier acheteur ou son représentant autorisé (installateur, etc.)).

#### Aux États-Unis et au Mexique

Delta Faucet Company  
55 E. 111th Street  
Carmel, IN 46280  
Attention: Warranty Service  
[www.deltafaucet.com/service-parts/contact-us](http://www.deltafaucet.com/service-parts/contact-us)

#### Au Canada:

Masco Canada Limited, Groupe plomberie  
Centre de services techniques  
350, chemin South Edgeware  
St. Thomas (Ontario) Canada N5P 4L1  
À l'attention du Service à la clientèle  
<http://www.deltafaucet.ca/customersupport/assistance.html>

La preuve d'achat (original du reçu du premier acheteur montrant la date d'achat) et la documentation attestant la date de réception du produit par le premier acheteur ou son représentant autorisé (installateur, etc.) doivent être présentées à Delta Faucet Company pour toutes les demandes en vertu de la garantie, sauf si le produit a été enregistré auprès de Delta Faucet Company ou si le produit est un produit recertifié Delta® acheté auprès de [deltafaucet.com](http://deltafaucet.com). La présente garantie s'applique uniquement aux robinets Delta® fabriqués après le 1er janvier 2019 et installés aux États-Unis d'Amérique, au Canada et au Mexique.

**Limitation de la durée des garanties implicites:** Veuillez noter qu'il est interdit, dans certains États ou certaines provinces (y compris le Québec), de limiter la durée d'une garantie implicite. Par conséquent, les limitations mentionnées ci-dessous peuvent ne pas s'appliquer à vous. **DANS LA MESURE DE CE QUI EST PERMIS PAR LA LOI APPLICABLE, TOUTES LES GARANTIES IMPLICITES, Y COMPRIS LES GARANTIES IMPLICITES DE QUALITÉ MARCHANDE ET D'ADÉQUATION À UN USAGE PARTICULIER, SE LIMITENT À LA PÉRIODE FIXÉE PAR LA LOI OU À LA DURÉE DE LA PRÉSENTE GARANTIE, LA PLUS COURTE DES DEUX PÉRIODES S'APPLIQUANT.**

**Limitation des dommages particuliers, consécutifs ou indirects:** Veuillez noter qu'il est interdit, dans certains États ou certaines provinces (y compris le Québec), d'exclure ou de limiter les dommages particuliers, consécutifs ou indirects. Par conséquent, les limitations et les exclusions mentionnées ci-dessous peuvent ne pas s'appliquer à vous. **DANS LA MESURE DE CE QUI EST PERMIS PAR LA LOI APPLICABLE, DELTA FAUCET COMPANY SE DÉGAGE DE TOUTE RESPONSABILITÉ À L'ÉGARD DES DOMMAGES PARTICULIERS, CONSÉCUTIFS ET INDIRECTS (Y COMPRIS LES FRAIS DE MAIN-D'ŒUVRE POUR LA RÉPARATION, LE REMPLACEMENT, L'INSTALLATION OU LA DÉPOSE DU PRODUIT), PEU IMPORTE QU'ILS DÉCOULENT D'UNE RUPTURE D'UNE GARANTIE IMPLICITE OU EXPLICITE, D'UNE RUPTURE DE CONTRAT, D'UN DÉLIT CIVIL OU D'UNE AUTRE CAUSE. DELTA FAUCET COMPANY SE DÉGAGE DE TOUTE RESPONSABILITÉ À L'ÉGARD DE TOUTE DÉTÉRIORATION DU ROBINET RÉSULTANT D'UNE USURE RAISONNABLE ET DES DOMMAGES CAUSÉS PAR UNE UTILISATION À L'EXTÉRIEUR, UN MAUVAIS USAGE (Y COMPRIS L'UTILISATION DU PRODUIT À DES FINS AUTRES QUE CELLES AUXQUELLES IL EST DESTINÉ), LE GEL DE L'EAU, UN USAGE ABUSIF, LA NÉGLIGENCE OU L'UTILISATION D'UNE MÉTHODE D'INSTALLATION, DE MAINTENANCE OU DE RÉPARATION INCORRECTE OU INADÉQUATE, Y COMPRIS LES DOMMAGES RÉSULTANT DU NON-RESPECT DES INSTRUCTIONS D'INSTALLATION, D'ENTRETIEN ET DE NETTOYAGE APPLICABLES, ET CES DOMMAGES NE SONT PAS COUVERTS PAR LA GARANTIE. Avis à l'intention des résidents de l'État du New Jersey : Les dispositions de la présente garantie, y compris ses limitations, s'appliquent dans toute la mesure permise par les lois de l'État du New Jersey.**

**Droits supplémentaires:** La présente garantie vous procure des droits particuliers reconnus par la loi. Vous pouvez avoir d'autres droits qui varient selon l'État ou la province. La présente garantie écrite est la seule garantie offerte par Delta Faucet Company et elle n'est pas transférable.

Si vous avez des questions ou des préoccupations concernant notre garantie, veuillez communiquer avec nous de la manière indiquée ci-dessus ou consulter notre FAQ sur la garantie à [www.deltafaucet.com](http://www.deltafaucet.com).



see what Delta can do<sup>SM</sup>

106557



SINGLE HANDLE KITCHEN AND BAR / PREP FAUCETS  
GRIFOS DE BAR/PREP DE UNA MANIJA PARA LA  
COCINA  
ROBINET D'ÉVIER DE CUISINE ET DE BAR OU D'ÎLOT

MODEL/MODELO/MODÈLE \_\_\_\_\_

Register Online  
Regístrese en línea  
S'enregistrer en ligne  
[www.deltafaucet.com/registerme](http://www.deltafaucet.com/registerme)

To reference replacement parts and access additional technical documents and product info, visit [www.deltafaucet.com](http://www.deltafaucet.com)

Para referencia sobre las piezas de repuesto y acceder a documentos técnicos adicionales e información del producto, visite [www.deltafaucet.com](http://www.deltafaucet.com)

Pour obtenir la référence des pièces de rechange ainsi que pour avoir accès à d'autres documents techniques et renseignements sur le produit, allez à [www.deltafaucet.com](http://www.deltafaucet.com)

1-800-345-3358  
[customerservice@deltafaucet.com](mailto:customerservice@deltafaucet.com)

Read all instructions prior to installation.

**CAUTION**

Failure to read these instructions prior to installation may result in personal injury, property damage, or product failure. Manufacturer assumes no responsibility for product failure due to improper installation.

Lea todas las instrucciones antes de hacer la instalación.

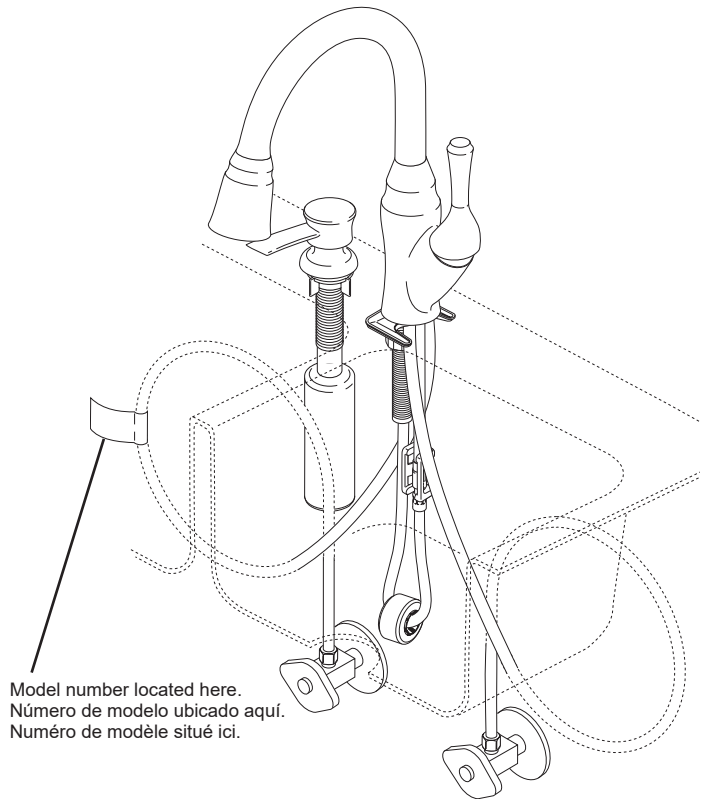
**ADVERTENCIA**

El no leer estas instrucciones de instalación puede resultar en lesiones personales, daños a la propiedad, o falla en el funcionamiento del producto. El fabricante no asume ninguna responsabilidad por la falla del producto debido a una instalación incorrecta.

Veillez lire toutes les instructions avant l'installation.

**AVERTISSEMENT**

L'omission de lire les présentes instructions avant l'installation peut entraîner des blessures, des dommages matériels ou le bris du produit. Le fabricant se dégage de toute responsabilité à l'égard d'un bris du produit causé par une mauvaise installation.



Model number located here.  
Número de modelo ubicado aquí.  
Numéro de modèle situé ici.

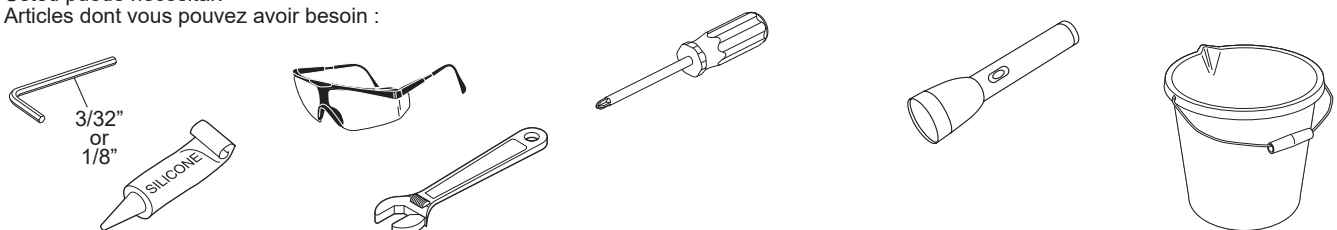
Image is for reference only.  
La imagen es sólo para referencia.  
L'image est fournie à titre indicatif seulement.

**WARNING:** this faucet is not to be used with portable dishwashers.

**ADVERTENCIA:** ¡esta llave no se debe utilizar con maquinas lavaplatos portátiles.

**AVERTISSEMENT:** on ne doit pas brancher un lave-vaisselle portatif sur ce robinet.

You may need:  
Usted puede necesitar:  
Articles dont vous pouvez avoir besoin :



---

## Cleaning and Care

Care should be given to the cleaning of this product. Although its finish is extremely durable, it can be damaged by harsh abrasives or polish. To clean, simply wipe gently with a damp cloth and blot dry with a soft towel.

## Limpieza y Cuidado de su Llave

Tenga cuidado al limpiar este producto. Aunque su acabado es sumamente durable, puede ser afectado por agentes de limpieza o para pulir abrasivos. Para limpiar su llave, simplemente frotela con un trapo húmedo y luego séquela con una toalla suave.

## Instructions de nettoyage

Il faut le nettoyer avec soin. Même si son fini est extrêmement durable, il peut être abîmé par des produits fortement abrasifs ou des produits de polissage. Il faut simplement le frotter doucement avec un chiffon humide et le sécher à l'aide d'un chiffon doux.

## Backflow Protection System

Your Delta Faucet pull-out spout incorporates a backflow protection system that has been tested to be in compliance with ASME A112.18.3 and ASME A112.18.1 / CSA B125.1. It incorporates two certified check valves in series, which operate independently and are integral, non-serviceable parts of the wand assembly.

## Sistema de protección contra el contraflujo

Su llave de agua tipo deslizable Delta tiene un sistema de protección contra el contraflujo, incorporado, que ha sido probado para cumplir con los requisitos de ASME A112.18.3 y ASME A112.18.1 / CSA B125.1. Este incorpora en la pieza de mano dos válvulas de retención o checadoras certificadas en una serie, las cuales operan independientemente y son piezas integrantes que no requieren servicio.

## Dispositif anti-siphonnage

Le bec rétractable de votre robinet Delta comporte un dispositif anti-siphonnage qui a été éprouvé et qui est conforme aux normes ASME A112.18.3 et ASME A112.18.1 / CSA B125.1. Ce dispositif se compose de deux clapets indépendants homologués, montés en série dans le tube rigide, qui sont non réparables.



### Note: ShieldSpray® not included with all models.

Delta® ShieldSpray® Technology cuts through stubborn messes with a concentrated stream and contains the splatter with an innovative water shield. Now you can power off the mess without making a bigger one.

### Nota: no se incluye ShieldSpray® con todos los modelos.

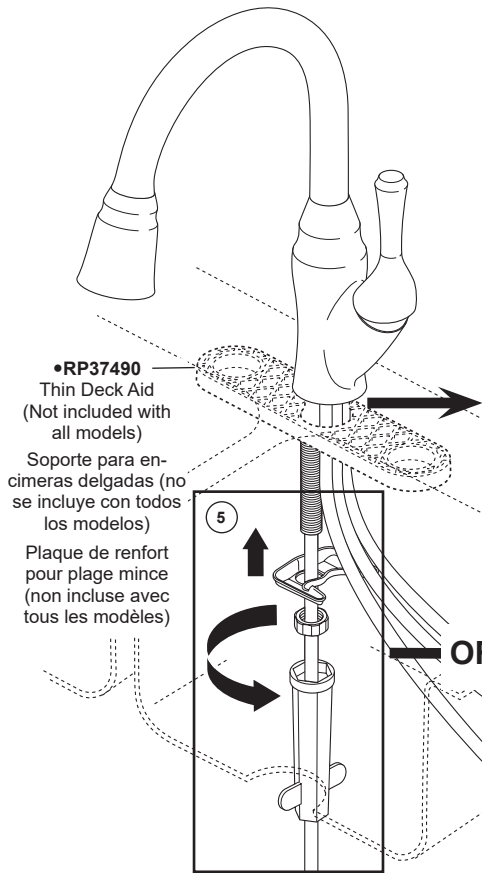
La tecnología de Delta® ShieldSpray® corta los sucios persistentes con un chorro intenso y contiene la salpicadura con un protector de agua innovador. Ahora usted tiene la potencia de limpieza sin ensuciar más.

### Note : Technologie ShieldSpray® non incluse avec tous les modèles.

La technologie ShieldSpray® de Delta® utilise un jet concentré qui déloge la saleté incrustée et un écran d'eau innovateur qui empêche les éclaboussures. Vous pouvez maintenant déloger la saleté sans tout salir dans les environs.

# 1

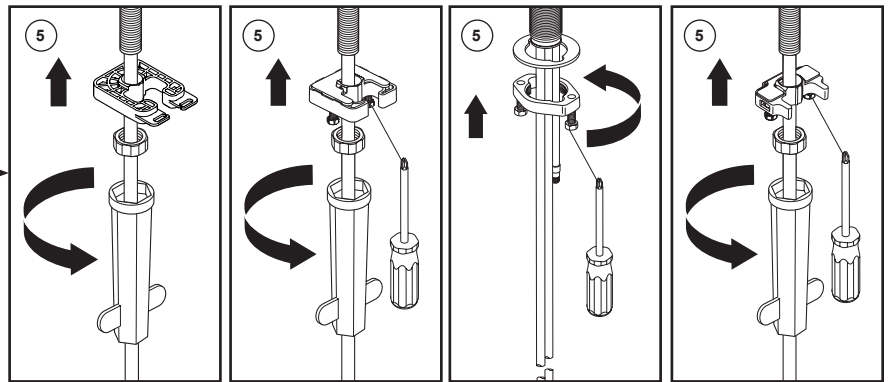
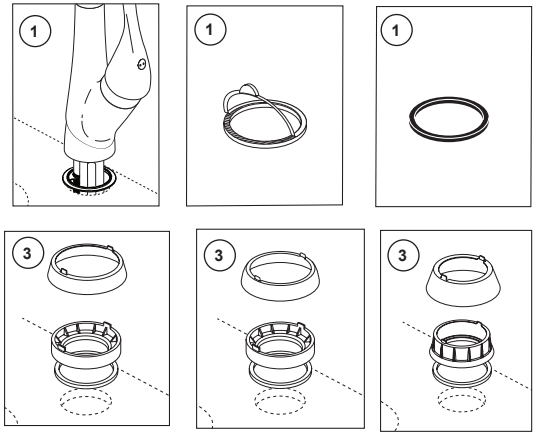
## SINGLE HOLE MOUNTING HARDWARE(S)



(1), (2) & (3)  
Mounts above deck/sink and under the faucet hub. Be sure to align trim ring tabs (4) (if your faucet has a trim ring) in base of the hub.

(1), (2) & (3)  
Se instala sobre la encimera/fregadero y debajo del cubo del grifo. Asegúrese de alinear las lengüetas del anillo de ajuste (4) (si su grifo tiene un anillo de ajuste) en la base del cubo.

(1), (2) et (3)  
Pièces à monter sur la plage ou l'évier et sous le moyeu du robinet. Assurez-vous de positionner les pattes de l'anneau de finition correctement (4) (si votre robinet comporte un anneau de finition) dans la base du moyeu.

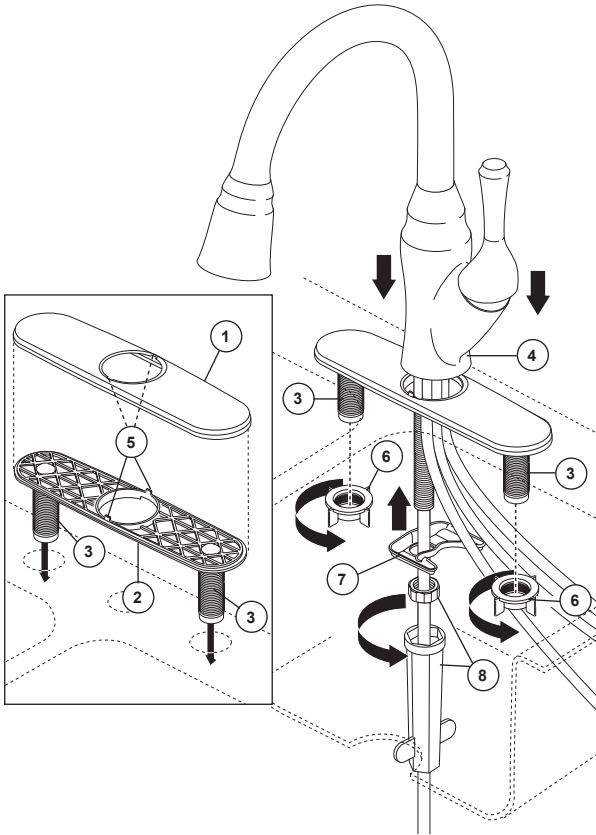


• Thin Deck Aid RP37490 is not included with all models. Use to provide stiffness to thin gauge sinks. - To order, visit [www.deltafaucet.com](http://www.deltafaucet.com). Open your faucet package and determine what type of gasket (1) gasket & trim ring (2), or gasket, base ring & trim ring (3) plus mounting hardware and tools (5) that will be required to install your faucet based on the illustrations above compared to your supplied hardware.

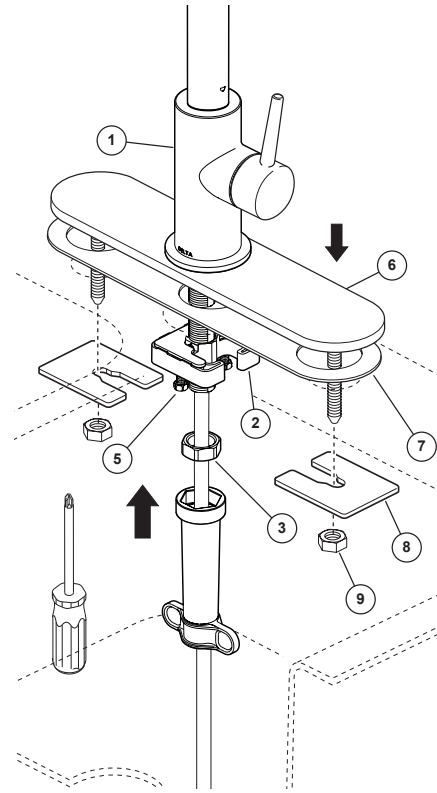
• El soporte para encimeras delgadas RP37490 no se incluye con todos los modelos. Úselo para proporcionar rigidez a fregaderos de calibre delgado. - Para ordenar, visite [www.deltafaucet.com](http://www.deltafaucet.com). Abra el paquete de la llave de agua/grifo y determine qué tipo de empaque (1) empaque y anillo de accesorio (2), o empaque, anillo de base y anillo de accesorio (3) más herrajes y herramientas para el montaje (5) se necesitarán para instalar su grifería según las ilustraciones anteriores en comparación con el herraje suministrado.

• La plaque de renfort RP37490 n'est pas incluse avec tous les modèles. Elle sert à procurer de la rigidité aux éviers minces. - Pour la commander, visitez [www.deltafaucet.com](http://www.deltafaucet.com). Ouvrez l'emballage de votre robinet et, en observant les figures, déterminez si vous avez besoin du joint (1) et du joint avec l'anneau de finition (2) ou du joint, de l'anneau de base et de l'anneau de finition (3) pour installer votre robinet. Vous verrez également quels sont les outils nécessaires.

## OPTIONAL / OPCIONAL / FACULTATIVE



OR  
O  
OU



### Optional Escutcheon Installation

**Not included with all models - To order, visit [www.deltafaucet.com](http://www.deltafaucet.com).** For installations using the 10" escutcheon, be certain and use the 10" escutcheon (1) and under cover plate (2). Assemble under cover plate and escutcheon in place of single hole trim ring. Place the shanks (3) of the escutcheon/under cover plate assembly into the mounting holes of the sink. Slide the tubes and shank of the hub (4) through the escutcheon and mounting holes, then install hub onto escutcheon. Ensure that tabs (5) on escutcheon and plate are properly located in slots in bottom of hub. Mount as shown above using the nuts (6), bracket (7) and nut with wrench (8).

### Optional Escutcheon Installation

**Not included with all models - To order, visit [www.deltafaucet.com](http://www.deltafaucet.com).** For optional installations using the 10 1/2" escutcheon, (specify finish) not supplied. Place the 10 1/2" escutcheon (6) and gasket (7) under faucet (1), hand tighten using escutcheon washers (8) and nuts (9). Mount as shown above using the mounting bracket (2). Tighten mounting nut (3) securely by hand, and then tighten with wrench provided. Then, using a Phillips screwdriver, tighten locking screws (5).

### Instalación Opcional de la Chapa de Cubierta

**No se incluye con todos los modelos - Para ordenar, visite [www.deltafaucet.com](http://www.deltafaucet.com).** Para instalaciones que utilicen el 10" chapetón, estar seguro y utilizar el 10" chapetón (1) y en la placa de cubierta (2). Ensamble bajo la placa de cubierta y escudo en lugar de un solo anillo de ajuste agujero. Coloque los vástagos (3) del escudo / amparo de montaje placa en los agujeros de montaje del fregadero. Deslice los tubos y la espiga de la llave (4) a través del escudo y los agujeros de montaje, a continuación, instale el grifo en el chapetón. Asegúrese de que las lengüetas (5) en el chapetón y la placa estén ubicadas correctamente en las ranuras en la parte inferior del cubo. Montaje como se muestra anteriormente usando las tuercas (6), el soporte (7) y la tuerca con la llave (8).

### Instalación de la chapa de cubierta opcional

**No se incluye con todos los modelos - Para ordenar, visite [www.deltafaucet.com](http://www.deltafaucet.com).** Para las instalaciones opcionales utilizando la chapa de cubierta de 10 1/2", (especificar el acabado) no suministrada. Coloque la chapa de 10 1/2" (6) y la junta (7) debajo de la llave de agua/grifo (1), apriete a mano con las arandelas (8) y las tuercas (9). Monte como se muestra arriba usando el soporte de montaje (2). Apriete la tuerca (3) firmemente con la mano y luego apriete con la llave suministrada. Luego, con un destornillador Phillips, apriete los tornillos de fijación (5).

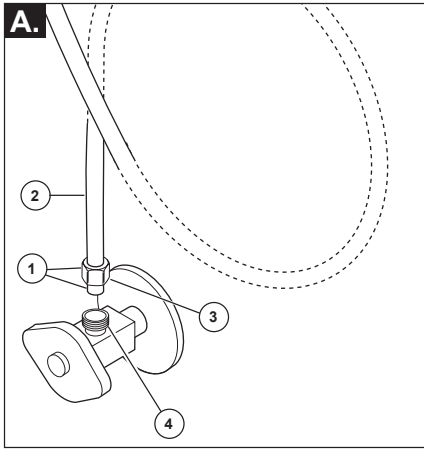
### Installation de la plaque de finition facultative

**Non fournie avec tous les modèles - Non incluse avec tous les modèles - Pour commander, visitez [www.deltafaucet.com](http://www.deltafaucet.com).** Pour les installations utilisant le 10 po rosace, être certaine et utiliser le 10" rosace (1) et sous la plaque de couverture (2). Assemblez sous la plaque de couverture et écusson en place de l'anneau de garniture seul trou. Placez les tiges (3) de l'écusson / sous couvert assemblage de plaque dans les trous de montage de l'évier. Faites glisser les tubes et la tige du robinet (4) dans la rosace et trous de montage, puis installer le robinet sur la rosace. S'assurer que les pattes (5) de la plaque de finition et de la plaque d'appui sont bien introduites dans les rainures au bas du moyeu. Monter comme indiqué ci-dessus en utilisant les écrous (6), le support (7) et l'écrou avec une clé (8).

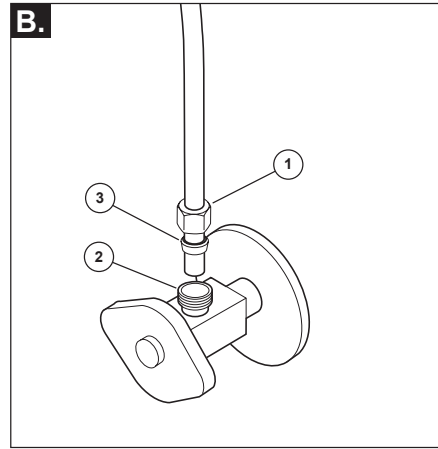
### Installation de la plaque de finition facultative

**Non incluse avec tous les modèles - Pour commander, visitez [www.deltafaucet.com](http://www.deltafaucet.com).** Pour l'installation du robinet avec la plaque de finition facultative de 10 1/2 po (précisez le fini) non fournie. Placez la plaque de finition de 10 1/2 po (6) et le joint (7) sous le robinet (1), puis immobilisez-les à l'aide des rondelles (8) et des écrous (9) de la plaque de finition en serrant ces derniers à la main. Montez le robinet de la manière indiquée à l'aide de la fixation de montage (2). Serrez les écrous de montage (3) solidement à la main, puis serrez-les à l'aide de la clé fournie. Serrez ensuite les vis de blocage (5) à l'aide d'un tournevis Phillips.

# 2



OR  
O  
OU



## A. Standard Connections

### NOTICE

To avoid risk of property damage, Follow instructions for proper installation. Failure to follow these instructions may result in risk of property damage caused by leaking at this connection. Do not use pipe dope or other sealants on water line connections.

Ensure all fittings and end connections are free of debris. Faucet fittings (1) are 3/8" compression. Loop tubing (2) if it is too long. **Note: Recommended tubing minimum bend diameter is 8".** Secure metal nut (3) to supply valve connection (4). Turn nut until it feels snug. Then tighten nut at least 2 more turns with a wrench. Repeat for other tube. Turn on water, examine for leaks.

## B. Custom Fit Connections

### NOTICE

If you determine the PEX supply tubing for this faucet is too long and must be shorter to create an acceptable installation, be sure to read the instructions and plan ahead. When cutting the supply tubing the installer accepts the responsibility to do so in a way that allows a leak-free joint to be created. Delta is not responsible for tubing that is cut too short or cut in a way that will not allow for a leak-free joint. **DO NOT use a metal sleeve (ferrule) or gasket (supplied with faucet) in place of the plastic sleeve (ferrule) supplied, it may not create a leak-free joint. Do not use pipe dope or other sealants on water line connections.**

For custom fit installations, you must use plastic sleeves (ferrules) supplied with model and nuts included on supply lines. **Tube cut must be straight.** See plastic sleeve (ferrule) installation instructions found in and included in this document for more information.

Slide nut (1) over plastic sleeve (ferrule) (3). Start nut by hand onto supply valve connection (2) to prevent cross-threading. Turn nut until

it feels snug. Then tighten nut at least 2 more turns with a wrench. Repeat for other supply line. Turn on water, examine for leaks.

### Potential Problems and Remedies

- **Tubing is not cut perpendicular to the axis of the tube:** carefully make an additional cut, being careful not to cut the tube too short.
- **Tubing is cut too short:** buy a coupling union and a replacement supply line that mate together from a store. The coupling union end intended to connect to the faucet must mate to the standard 3/8" connection nuts and plastic sleeves (ferrules) supplied with the faucet.
- **The plastic sleeve (ferrule) or connection nut is lost:** purchase a replacement nut and/or plastic sleeve (ferrule) that are designed to seal with PEX tubing.

## A. Conexiones Estándares

### AVISO

Para evitar el riesgo de daños a la propiedad, siga las instrucciones para una instalación adecuada. El incumplimiento de estas instrucciones puede resultar en arriesgar dañar la propiedad causado por fugas en esta conexión. No utilice compuestos para tuberías ni otros selladores en las conexiones de las líneas de agua.

Asegúrese de que todos los accesorios y las conexiones extremas estén libres de residuos. Los accesorios de la llave de agua (1) son de 3/8" compresión. Enlace el tubo (2) si es demasiado largo. **Nota: el diámetro mínimo recomendado de la curva del tubo es de 8".** Fije la tuerca metálica (3) a la conexión de la válvula de suministro (4). Gire la tuerca hasta que se sienta ajustada. Luego apriete la tuerca por lo menos 2 vueltas más con una llave de tuercas. Repita con el otro tubo. Abra el agua, examine para detectar fugas.

## B. Conexiones Especiales

### AVISO

Si determina que el tubo de suministro de PEX para esta llave de agua es demasiado largo y debe ser más corto para crear una instalación aceptable, asegúrese de leer las instrucciones y planificar con anticipación. Al cortar la tubería de suministro, el instalador acepta la responsabilidad de hacerlo de una manera que permita crear una junta libre de fugas. Delta no es responsable de que los tubos estén cortados demasiado cortos o de una manera que no permita una unión libre de fugas. **NO use un manguito o funda de metal (casquillo) o el empaque (suministrado con la llave de agua) en lugar del manguito plástica (casquillo) suministrada, porque es posible no crear una conexión sin fugas. No use compuesto de tuberías ni otros selladores en las conexiones de la línea de agua.**

Para instalaciones hechas a la medida, debe usar manguitos plásticos (casquillos) suministrados con el modelo y las tuercas incluidas en las líneas de suministro. El corte del tubo debe ser recto. Consulte las instrucciones de instalación del manguito plástico (casquillo) que se encuentran y se incluyen en este documento para obtener más información.

Deslice la tuerca (A) sobre el manguito plástico (casquillo) (C). Coloque la tuerca a mano en la conexión de la válvula de suministro

(B) para evitar que se entrecrucen. Gire la tuerca hasta que se sienta ajustada. Luego apriete la tuerca por lo menos 2 vueltas más con una llave de tuercas. Repita con la otra línea de suministro. Abra el agua, examine para detectar fugas.

### Averías potenciales y remedios

- **Si el tubo no se corta perpendicular al eje del tubo:** con cuidado haga un corte adicional, teniendo cuidado de no cortar el tubo demasiado corto.
- **Si la tubería se corta demasiado corta:** compre en una tienda una unión de acoplamiento y una línea de suministro de repuesto que se acoplen. El extremo de la unión del acoplamiento destinado a conectarse a la llave de agua/grifo debe acoplarse con las tuercas de conexión de 3/8" estándar y los manguitos plásticos (casquillos) suministrados con la llave de agua.
- **Si el manguito plástico (casquillo) o la tuerca de conexión se pierde:** compre una unión de repuesto y/o manguito plástico (casquillo) que estén diseñados para sellar con tubería PEX.

## A. Branchements Standard

### AVIS

Pour prévenir les risques de dommages matériels, respectez les instructions d'installation. L'omission de respecter ces instructions pourrait entraîner des dommages matériels causés par une fuite de ce raccord. **N'utilisez pas de pâte lubrifiante ni d'autres produits d'étanchéité sur les raccords de cette conduite d'eau.**

Assurez-vous que tous les raccords et les raccords d'extrémité sont exempts de corps étrangers. Ce robinet est muni de raccords (1) à compression de 3/8 po. Cintrer le tube (2) s'il est trop long. Note : Le diamètre de cintrage recommandé est de 8 po. Fixez l'écrou en métal (3) au raccord du robinet d'alimentation (4). Serrez l'écrou jusqu'à ce qu'il soit appuyé, puis faites au moins 2 tours supplémentaires avec une clé. Installez l'autre tube de la même manière. Rétablissez l'alimentation en eau et vérifiez l'étanchéité.

## B. Branchements Spéciaux

### AVIS

Si vous constatez que le tube d'alimentation en PEX de ce robinet est trop long et vous devez le sectionner pour faire une installation acceptable, lisez les instructions et prévoyez le coup. L'installateur qui sectionne le tube d'alimentation a la responsabilité de le faire d'une manière qui permettra la réalisation d'un joint étanche. Delta se dégage de toute responsabilité dans l'éventualité où le tube sectionné serait trop court ou ne permettrait pas la réalisation d'un joint étanche. **N'UTILISEZ PAS le manchon métallique (virole) ou le joint plat (fourmi avec le robinet) à la place du manchon de plastique (virole) fourni. Le raccord pourra fuir. N'utilisez pas de pâte lubrifiante ni d'autres produits d'étanchéité sur les raccords de cette conduite d'eau.**

Pour les installations sur mesure, vous devez utiliser les manchons en plastique (viroles) fournis avec le modèle et les écrous qui se trouvent sur les tubes d'alimentation. Le tube doit être sectionné perpendiculairement à son axe. Pour obtenir plus de renseignements, veuillez consulter la section du présent document qui traite de l'installation du manchon en plastique (virole).

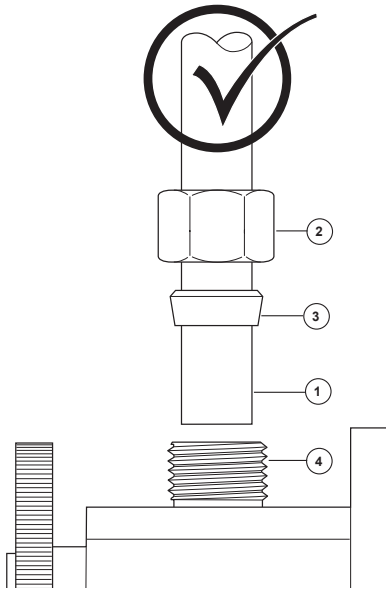
Glissez l'écrou (A) sur le manchon en plastique (virole) (C). Amorcez l'écrou à la main sur le raccord du robinet d'alimentation (B) pour ne

pas risquer de foirer le filets. Tournez l'écrou jusqu'à ce qu'il soit appuyé. Faites ensuite au moins deux tours supplémentaires à l'aide d'une clé. Branchez l'autre tube d'alimentation de la même manière. Rétablissez l'alimentation en eau et vérifiez l'étanchéité.

### Problèmes et solutions possibles

- **Le tube n'est pas coupé perpendiculairement à l'axe du tube :** sectionnez le tube de nouveau minutieusement en vous assurant qu'il ne sera pas trop court.
- **Le tube a été sectionné et il est trop court :** achetez un raccord-union et un tube d'alimentation de rechange. L'extrémité du raccord-union doit être compatible avec les écrous de raccordement de 3/8 po et les manchons en plastique (viroles) fournis avec le robinet.
- **Le manchon en plastique (virole) ou l'écrou de raccordement a été perdu :** achetez un écrou et/ou un manchon en plastique (virole) conçus pour assurer l'étanchéité avec un tube en PEX.

**Correct method**  
**Método Correcto**  
**Bonne méthode**



**NOTICE**

**Failure to use plastic sleeve (ferrule) in the correct orientation will result in disconnection and possible water damage.**

1. Determine desired length of supply tube (1). Leave 1" or 2" of extra length to allow for easier installation and cut tube. Ensure cut is straight and burr free.
2. Slide nut (2) and plastic sleeve (ferrule) (3) onto cut supply tube. Ensure plastic sleeve (ferrule) is oriented as shown.
3. Insert supply tube into supply valve connection (4). Supply tube should touch bottom of hole inside supply valve.
4. Slide plastic sleeve (ferrule) down supply tube until it contacts the supply valve connection.
5. Slide nut over plastic sleeve (ferrule). Start nut by hand to prevent cross-threading. Turn nut until it feels snug. Then tighten nut at least 2 more turns with a wrench. Repeat for other supply line. Turn on water, examine for leaks.

**AVISO**

**Si no utiliza el manguito plástico (casquillo) en la orientación correcta resultará en la desconexión y el posible daño por agua.**

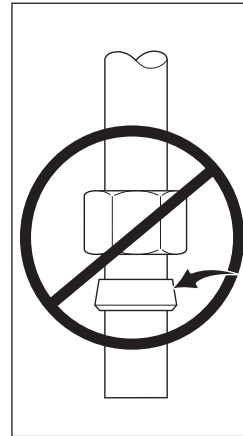
1. Determine el largo deseado del tubo de suministro (1). Agregue 1" ó 2" de más para permitir una instalación más fácil y corte el tubo. Asegúrese que el corte es recto y sin rebabas.
2. Deslice la tuerca (2) y el manguito plástico (casquillo) (3) en el tubo cortado de suministro. Asegúrese el manguito plástico (casquillo) está orientado, como se muestra.
3. Introduzca el tubo de suministro en la conexión de la válvula de suministro (4). El tubo de alimentación debe tocar el fondo del agujero dentro de la válvula de suministro.
4. Deslice el manguito plástico (casquillo) por el tubo de suministro hasta que tenga contacto con la conexión de la válvula de suministro. AVISO: Si no utiliza el manguito plástico (casquillo) en la orientación correcta resultará en la desconexión y el posible daño por agua.
5. Deslice la tuerca sobre el manguito plástico (casquillo). Coloque la tuerca a mano para evitar que se entrecruzen. Gire la tuerca hasta que se sienta ajustada. Luego apriete la tuerca por lo menos 2 vueltas más con una llave de tuercas. Repita con la otra línea de suministro. Abra el agua, examine para detectar fugas

**NOTE:**

**Si le manchon en plastique (bague) n'est pas installé correctement, le raccord peut se défaire et occasionner un dégât d'eau.**

1. Coupez le tube d'alimentation (1) à la longueur désirée. Laissez 1 à 2 pouces de jeu pour faciliter l'installation. Faites une coupe d'équerre et enlevez les bavures.
2. Glissez l'écrou (2) et le manchon en plastique (bague) (3) sur le tube d'alimentation coupé. Assurez-vous que le manchon en plastique est orienté comme le montre la figure.
3. Introduisez le tube d'alimentation dans le raccord du robinet d'alimentation (4). Le tube doit toucher le fond du trou à l'intérieur du raccord du robinet d'alimentation.
4. Faites glisser le manchon en plastique (bague) dans le tube jusqu'à ce qu'il entre en contact avec le raccord du robinet d'alimentation.
5. Glissez l'écrou sur le manchon en plastique (virole). Amorcer l'écrou à la main pour ne pas risquer de foirer les filets. Tournez l'écrou jusqu'à ce qu'il soit appuyé. Faites ensuite au moins deux tours supplémentaires avec une clé. Branchez l'autre tube d'alimentation de la même manière. Rétablissez l'alimentation en eau et vérifiez l'étanchéité.

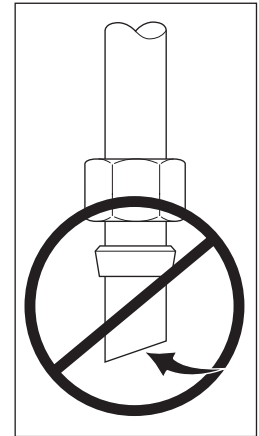
**Incorrect Installation**  
**Instalación Incorrecta**  
**Installation Incorrecte**



**Do not** install sleeve upside down.

**No instale** la manga boca abajo.

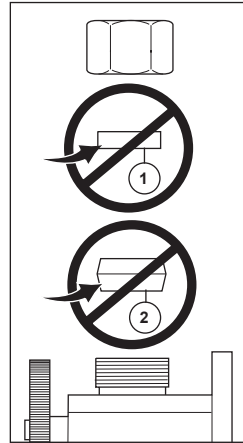
**N'installez pas** le manchon à l'envers.



Ensure cut is straight.

Asegúrese que el corte esté recto.

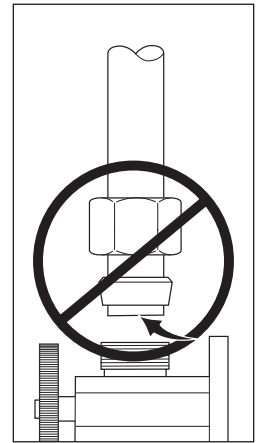
Assurez-vous que la coupe est droite.



**Do not** use gasket (1) supplied with PEX tubing or brass ferrule (2) supplied with valve stops.

**No use** empaque (1) suministrado con el tubería de PEX o el casquillo de bronce (2) suministrado con las válvulas de cierre.

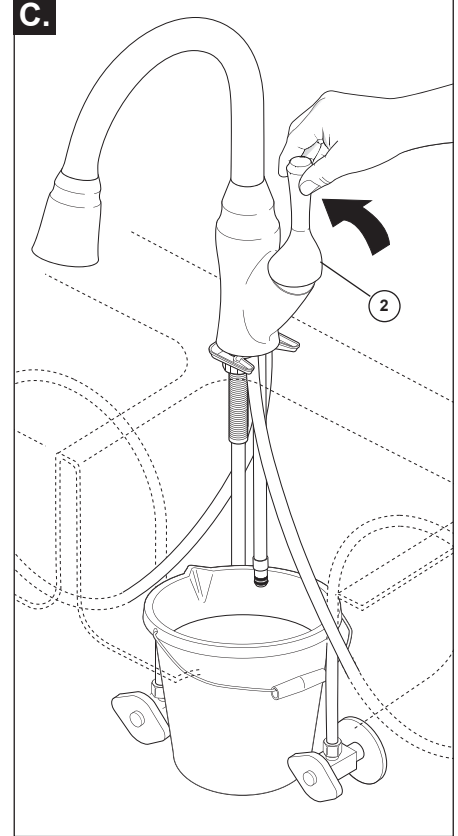
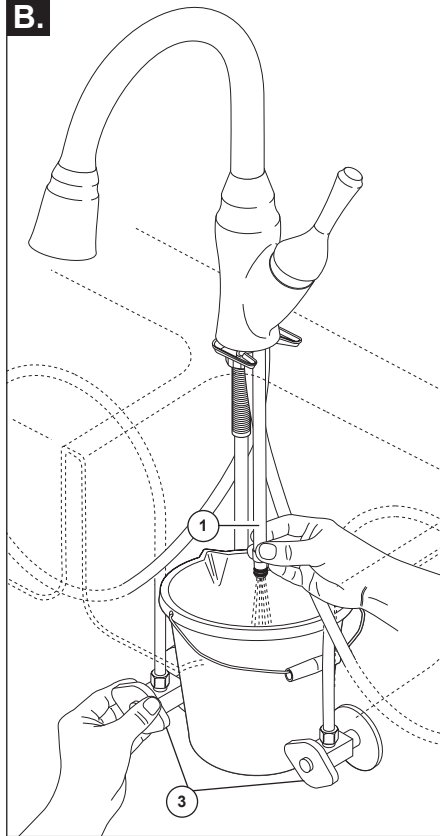
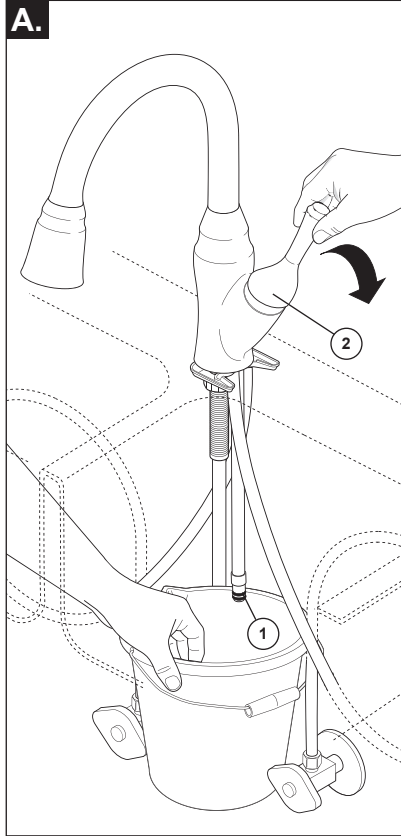
**N'utilisez pas** le joint (1) fournie avec la tuyauterie de PEX ou la bague en cuivre (2) fournie avec les robinets d'arrêt.



Ensure tube is fully inserted into stop before sliding sleeve down to engage top of fitting.

Asegúrese que el tubo este completamente introducido dentro del tope antes de deslizar la manga hacia abajo para encajar la parte superior del accesorio.

Assurez-vous que le tube est introduit entièrement dans le robinet d'arrêt avant de faire glisser le manchon vers le bas pour le fixer à la partie supérieure du raccord.

**3**

### Flush Supply Lines

**A.** Place a bucket below outlet tube (1) and move the valve handle (2) to the open mixed position.  
**Note: To turn on faucet, pull the lever away from the faucet.**

**B.** Then, while holding the outlet tube (1) over the bucket, slowly open and close the supply stops (3). This will prevent debris from being lodged in the hose and sprayer.

**C.** Move faucet handle (2) to the off position, and carefully remove container of water.

### Enjuague las líneas de suministro

**A.** Coloque un cubo o balde debajo del accesorio de la salida(1) y mueva la palanca de la válvula (2) a la posición abierta mixta. **Nota: Para activar la llave, hale la palanca del grifo.**

**B.** Luego, mientras que sostiene el tubo de salida (1) sobre el cubo, abra y cierre lentamente las llaves de paso (3). Esto evitará que los residuos se atrapen en la manguera y el rociador.

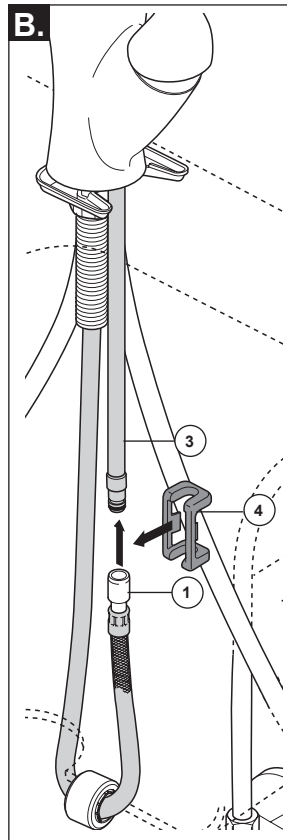
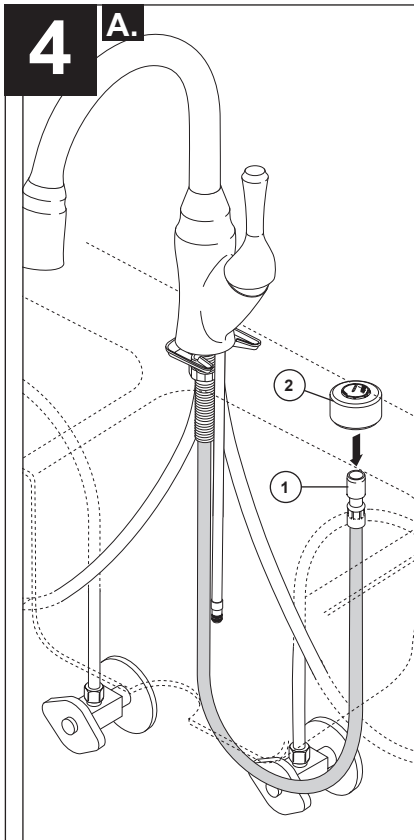
**C.** Mueva la manija de la llave (2) a la posición de apagado, y retire con cuidado recipiente con agua.

### Rincez les tuyaux d'alimentation

**A.** Placez un seau sous le raccord de sortie (1) et amenez la manette (2) en position de plein mélange. **Note : Pour activer le robinet, tirez le levier du robinet.**

**B.** Ensuite, tenez le tube de sortie (1) au-dessus du seau et ouvrez les robinets d'arrêt lentement (3), puis refermez-les. Cette opération sert à évacuer les corps étrangers qui pourraient se trouver dans le tuyau souple et le pulvérisateur.

**C.** Déplacez la manette (2) en position d'arrêt, et retirez délicatement récipient d'eau.



### Hose Installation

- A.** Insert hose end (1) through hose weight assembly (2).
- B.** Push hose end (1) onto faucet outlet (3). Attach clip (4) over hose and outlet as shown. Pull down moderately to ensure connection has been made.

### Instalación De la Manguera

- A.** Deslice el peso de la manguera (2) sobre el extremo de la manguera (1).
- B.** Deje pasar el extremo de la manguera (1) por la salida de la llave de agua / grifo (3). Fije el gancho (4) sobre la manguera y la salida como se muestra. Moderadamente hale hacia abajo para asegurarse que la conexión se ha hecho.

### Installation de Flexible

- A.** Glissez la masselotte (2) sur l'extrémité du tuyau (1).
- B.** Poussez l'extrémité du tuyau souple (1) sur la sortie du robinet (3). Fixez l'agrafe (4) sur le tuyau souple et la sortie comme le montre la figure. Tirez modérément pour vérifier la solidité du branchement.

**Note:** Clip fits behind shoulders on outlet and hose fittings.

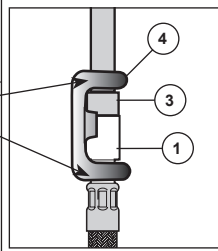
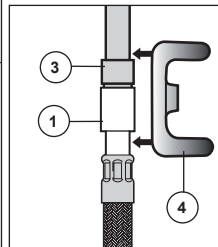
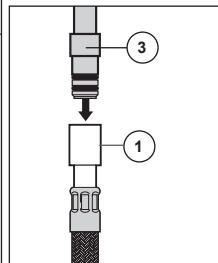
**Nota:** Ajustes del clip detrás de hombros en las guarniciones del enchufe y de manguera.

**Note:** Ajustements d'agrafe derrière des épaules sur des embouts de sortie et de durites.

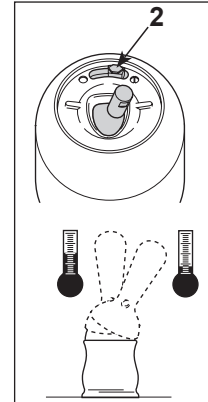
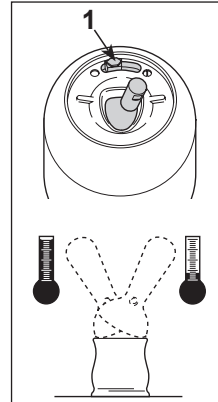
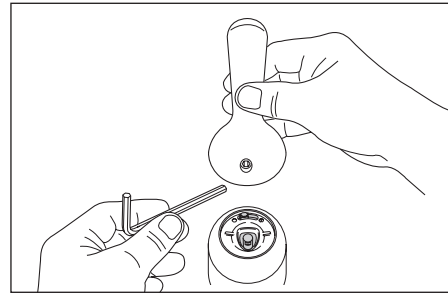
### B. Side View

Vista lateral

Vue de côté



# 5



### Setting The Handle Limit Stop (Optional) - not supplied with all models

This faucet includes an integrated handle limit stop that has two positions. Position 1, to the left, allows full handle motion (the full range between "all cold" to "all hot"). The faucet is set in position 1 in the factory. Position 2, to the right, allows half of the normal handle motion ("all cold" to "mixed hot/cold").

The handle limit stop can be adjusted by the homeowner once the faucet is installed. Setting the handle limit stop in position 2 may help to prevent scalding because it limits the amount of hot water in the mix; however, this handle limit stop will not always prevent scalding because it does not compensate for incoming pressure or sudden water temperature changes.

**To change positions of the handle limit stop:** remove the handle; move the valve stem to the all cold position so the water is on; change the position of the handle limit stop; turn off the water; reinstall the handle.

### Configurando el tope del límite de la manija (Opcional) - no se proporciona con todos los modelos

Esta llave de agua incluye una manija integrada, que tiene dos posiciones, para limitar la temperatura. La posición 1, a la izquierda, permite el movimiento completo de la manija (el alcance completo entre el agua "totalmente fría" hasta "totalmente caliente"). La fábrica preselecciona la llave de agua (grifo) a la posición 1. La posición 2, a la derecha, permite la mitad del alcance de movimiento normal de la manija ("totalmente fría" a la posición "mixta caliente/fría").

Una vez que la llave de agua (grifo) se ha instalado, el límite rotacional de la manija puede ajustarse por el propietario de la residencia. Ajustando la manija de ajuste del tope del límite de la temperatura a la posición 2 puede ayudar a prevenir escaldaduras porque limita la cantidad de agua caliente en la mezcla; sin embargo, esta manija que limita la temperatura del agua no siempre prevendrá escaldaduras porque no compensa la presión del agua de entrada o cambios repentinos de la temperatura del agua.

**Para cambiar las posiciones de la manija que limitan la temperatura:** quite la manija; cambie la posición de la espiga de la válvula a la posición totalmente fría de manera que el agua esté abierta; cambie la posición de la manija que limita la temperatura; cierre el agua; reinstale la manija.

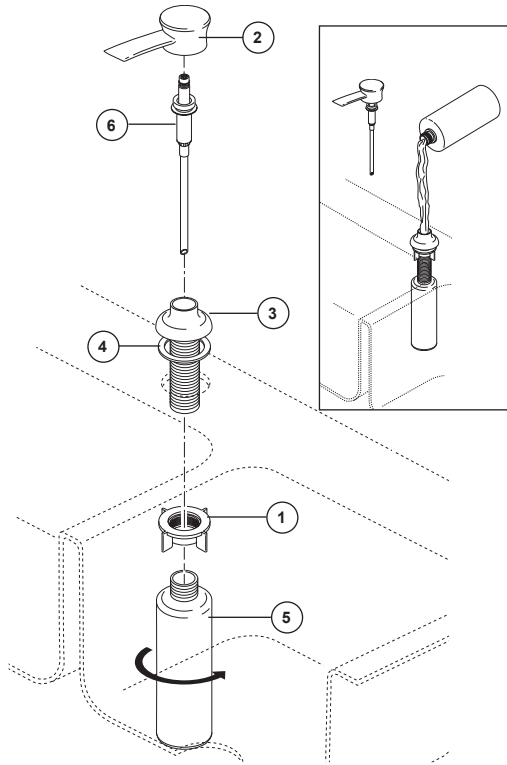
### Réglage de la butée de température maximale - non livrée avec tous les modèles

Ce robinet est muni d'une butée de température maximale à deux positions. La position 1, à gauche, permet le déplacement de la manette entre les deux extrémités de la plage de température (eau très froide et eau très chaude). C'est la position sélectionnée en usine. La position 2, à droite, permet le déplacement de la manette sur la moitié de la plage de température (eau très froide et eau mitigée).

Il est possible de régler la butée de température maximale de la manette au moment de l'installation du robinet. Un réglage à la position 2 peut empêcher l'ébouillantage parce que cette position limite la quantité d'eau chaude dans le mélange. Toutefois, ce réglage de la butée de température maximale de la manette ne constitue pas une garantie absolue contre l'ébouillantage parce qu'il n'offre aucune protection contre les fluctuations de la pression d'alimentation ou les changements de température soudains.

**Pour modifier la position de la butée de température maximale de la manette :** enlevez la manette; amenez l'obturateur à l'extrémité de la plage du côté eau froide pour faire s'écouler l'eau; modifiez la position de la butée de température maximale; fermez le robinet; réinstallez la manette.

# 6



### Soap Dispenser Installation

**Note:** Soap dispenser not included with all models.

Remove nut (1). Separate head (2) from body (3). Insert body (3) and gasket (4) through selected hole in sink. Make sure gasket (4) is properly seated in the base. Secure body to sink with nut (1). From under the sink screw the bottle (5) onto the body assembly shank. Insert pump (6) into head (2), then drop into body (3). **NOTE: To fill, lift the head and pump assembly out of the bottle and pour not more than 8 oz. into bottle.** DO NOT remove bottle each time as this weakens the neck. Pull pump and head assembly out occasionally to soak and pump warm water through pump to remove soap build-up. **Note:** Initially it may take up to 12 pumps to bring soap to the pump tip.

### Instalación del Dispensador del Jabón

**Nota:** Dispensador del jabón no incluir con todos los modelos.

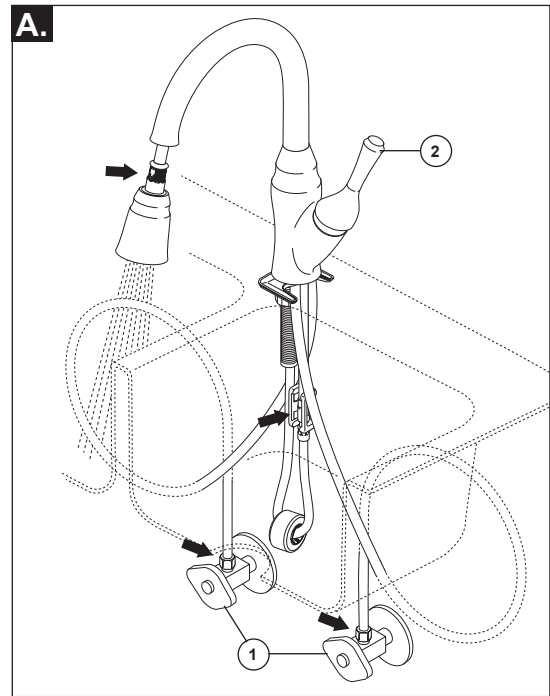
Quite la tuerca (1). Separe la cabeza (2) del cuerpo (3). Introduzca el cuerpo (3) y el empaque (4) a través del agujero seleccionado en el fregadero. Asegure que el empaque (4) esté apropiadamente sentado en la base. Fije el cuerpo al fregadero con la tuerca (1). Desde la parte interior del fregadero, atornille la botella (5) en el cuerpo del ensamble de la espiga. Introduzca la bomba (6) en la cabeza (2), y déjelo caer en el cuerpo (3). **NOTA: Para llenar, levante la cabeza y la bomba de la botella y vierta no más de 8 oz dentro de la botella.** NO saque la botella cada vez ya que esto debilitaría. Saque la bomba y al ensamblaje principal de vez en cuando para remojar y para bombear el agua caliente a través de la bomba para quitar la acumulación del jabón. **Nota:** Puede tomar inicialmente hasta 12 bombas para traer el jabón a la bomba.

### Installation de distributeur de savon

**Note :** Distributeur de savon ne pas inclure avec tous les modèles.

Enlevez l'écrou (1). Séparez la tête (2) du corps (3). Introduisez le corps (3) le joint (4) dans le trou approprié de l'évier. Assurez-vous que le joint (4) est bien calé dans la base. Fixez le corps à l'évier avec l'écrou (1). Par le dessous de l'évier, vissez la bouteille (5) sur le manchon du corps. Introduisez la pompe (6) dans la tête (2), puis placez l'ensemble dans le corps (3). **NOTE : Pour remplir la bouteille, soulevez la tête avec la pompe.** Ne versez pas plus de 8 onces de liquide. ÉVITEZ d'enlever la bouteille à chaque fois pour ne pas affaiblir le goulot. Enlevez la tête avec la pompe à l'occasion et faites tremper l'ensemble dans l'eau chaude pour enlever les dépôts de savon. **Note :** Au commencement elle peut prendre à 12 pompes pour apporter le savon à la pompe.

# 7



**A.** Turn on water supplies (1) and faucet valve handle (2). Check all connections at arrows for leaks. Refer back to the appropriate installation instructions and retighten if necessary. If assembled correctly, check for damage to seals and order appropriate replacements.

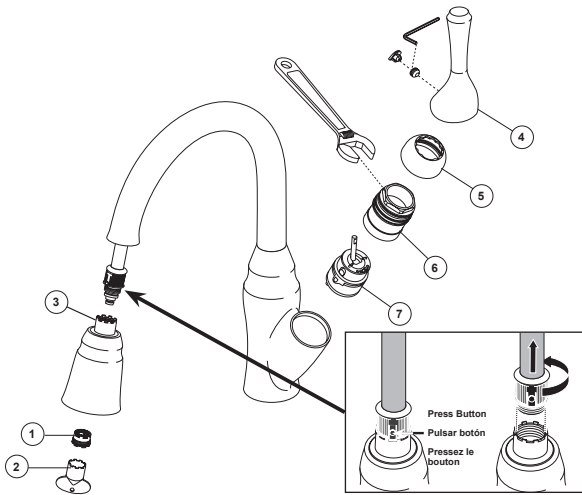
**B.** Sprayer will lock into position when brought into proximity of the spout magnet. The sprayer can be removed by either pulling directly out from the spout or by twisting 90° in either direction which will cause the magnets to repel and the head to decouple from the spout (recommended). Check the operation of the **2 function sprayer** by pushing the trigger (A) from aerator to spray. For models with a **3 function sprayer**, check the operation by pushing the buttons to achieve the 3 different modes.

**A.** Abra el agua (1) y la manija de la válvula de la llave (2). Examine los sitios con las flechas en las conexiones para asegurar que no hay ninguna filtración de agua. Si es necesario, guíese por las instrucciones apropiadas para la instalación y apriete otra vez. Si están ensamblado correctamente, fíjese si los sellos están dañados y ordene las piezas de repuesto apropiadas.

**B.** El mango del rociador se bloqueará en su posición cuando se pone en la proximidad del imán del surtido. El rociador se puede retirar halándolo directamente de la llave de agua o girándolo 90° en cualquier dirección que hará que los imanes que se repelen y la cabeza de desenganche del surtidor (recomendado). Examine el funcionamiento del mango de 2 funciones pulsando el gatillo (A) de aireador para rociador. Para los modelos con un mango de 3 funciones, examine el funcionamiento pulsando los botones para lograr los 3 modos diferentes.

**A.** Tournez des fournitures eau (1) et la poignée de soupape du robinet (2). Vérifiez l'étanchéité de tous les raccords aux endroits indiqués par les flèches. Consultez les instructions d'installation et serrez les raccords de nouveau au besoin. Si le raccord est monté correctement, vérifiez l'état des joints et commandez les pièces de rechange nécessaires.

**B.** La poignée du bec se bloque en place lorsqu'elle arrive à proximité de l'aimant du bec. Vous pouvez enlever la tête de pulvérisation en tirant directement sur celle-ci. Vous pouvez aussi la faire pivoter de 90° dans un sens ou dans l'autre; les aimants se repousseront et la tête de pulvérisation se séparera du bec (méthode recommandée). Vérifiez le fonctionnement de la poignée du bec à 2 fonctions en poussant sur la détente (A) pour passer du mode d'aération au mode de pulvérisation. Sur les modèles munis d'une poignée de bec à 3 fonctions, vérifiez le fonctionnement en poussant sur les boutons



## Maintenance

### If faucet exhibits very low flow

- A.** Remove and clean aerator (1) (Note: some models are not supplied with an aerator or a wrench is required (2) to remove aerator.), or  
**B.** Unscrew hose from spray head and clean debris from screen (the screen is located just inside the spray head (3). Note: Not all models have screens. **IMPORTANT: Reinstall screen to the spray head. (Failure to reinstall the screen could damage internal parts.)**

**If faucet leaks from under handle:** Remove handle (4) and cap (5). Using a wrench, ensure bonnet nut (6) is tight.

**If leak persists—SHUT OFF WATER SUPPLIES.** Replace valve cartridge (7). When reinstalling parts, make sure bonnet nut (6) is tightened securely with a wrench.\*

**If faucet leaks from spout outlet—SHUT OFF WATER SUPPLIES.** Replace valve cartridge (7). When reinstalling parts, make sure bonnet nut (6) is tightened securely with a wrench.\*

\* **WARNING: Failure to securely tighten bonnet nut with a wrench could result in water damage.**

**Note:** A small amount of water may run out the spout or drip for a very short period after the faucet is shut off. This is a natural occurrence caused by the long flexible hose.

**Note:** Do not attempt to disassemble cartridge (7). There are no repairable parts inside.

## Mantenimiento

### Si la llave muestra un flujo muy bajo

- A.** Retire y limpie el aireador (1) (Nota: algunos modelos no se proporcionan con un aireador o se requiere una llave (2) para quitar el aireador.), o  
**B.** Destornille la manguera de la cabeza del rociador y limpie los escombros de la rejilla (la rejilla está dentro de la cabeza del rociador) (3). Nota: No todos los modelos tienen la rejilla. **IMPORTANTE: Instale la rejilla otra vez dentro de la cabeza del rociador (si no la reinstala podría dañar las partes internas).**

**Si la llave de agua tiene una filtración por debajo de la manija:** Quite la manija (4) y casquillo (5). Usando una llave de tuercas, asegúrese que la tuerca tapa (6) esté apretada.\*

**Si la filtración persiste – CIERRE LOS SUMINISTROS DE AGUA.** Cambie el cartucho de la válvula (7). Usando una llave de tuercas, asegúrese que la tuerca tapa (6) esté apretada.\*

**Si la llave de agua tiene una filtración desde la salida del surtidor – CIERRE LOS SUMINISTROS DE AGUA.** Cambie el cartucho de la válvula (7). Usando una llave de tuercas, asegúrese que la tuerca tapa (6) esté apretada.\*

\* **AVISO: Si no aprieta fijamente la tuerca tapa con una llave de tuercas pudiera resultar en daño por agua.**

**Nota:** Una cantidad pequeña de agua puede escurrirse del surtidor o gotear por un período corto de tiempo después de cerrar el agua. Esto es una ocurrencia natural causada por la manguera larga flexible.

**Nota:** No procure desmontar el cartucho (7). No hay piezas reparables adentro.

## Entretien

### Si le débit du robinet est très faible:

- A.** Enlevez l'aérateur et nettoyez-le (1). (Note : Certains modèles ne sont pas livrés avec un aérateur ou une clé est requise (2) pour enlever l'aérateur.) ou  
**B.** Dévissez le tuyau, retirez le du bec-douchette et nettoyez le filtre en toile métallique (à l'intérieur du bec-douchette) (3). Note : Non tous les modèles ont des le filtre. **IMPORTANT – Remettez le filtre en place. L'absence du filtre peut entraîner l'endommagement des éléments internes.**

**Si le robinet fuit par le dessous de la manette :** Enlevez la manette (4) et embase (5). À l'aide d'une clé, assurez-vous que l'écrou-chapeau (6) est serré.\*

**Si la fuite persiste, COUPEZ L'ARRIVÉE D'EAU.** Remplacez la cartouche de la Usando una llave de tuercas, asegúrese que la tuerca tapa (6) esté apretada.\*

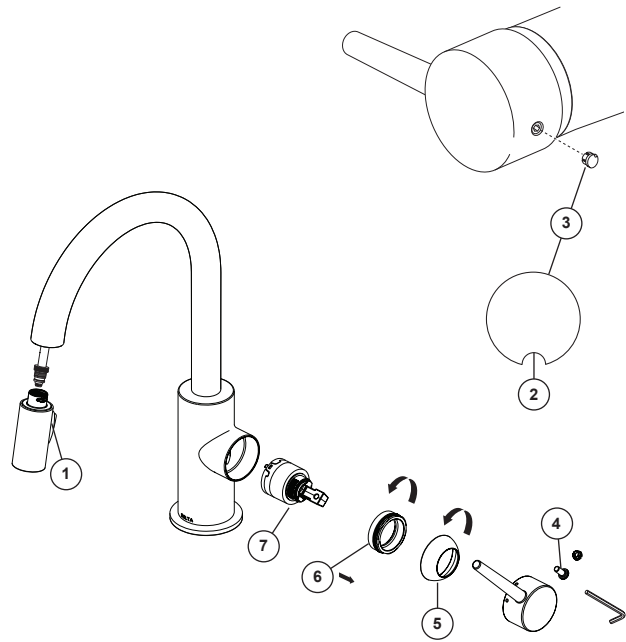
**Si le robinet fuit par la sortie du bec, COUPEZ L'ARRIVÉE D'EAU.** Remplacez la cartouche (7). Usando una llave de tuercas, asegúrese que la tuerca tapa (6) esté apretada.\*

**Si le robinet fuit par la sortie du bec, COUPEZ L'ARRIVÉE D'EAU.** Remplacez la cartouche (7). Usando una llave de tuercas, asegúrese que la tuerca tapa (6) esté apretada.\*

\* **MISE EN GARDE : L'omission de bien serrer l'écrou-chapeau peut entraîner une fuite d'eau et des dommages.**

**Note :** Un peu d'eau peut s'écouler du bec ou dégoutter pendant une très courte période après la fermeture du robinet. Cela est normal en raison de la longueur du flexible.

**Note :** N'essayez pas de démonter la cartouche (7). Il n'y a aucune pièce réparable à l'intérieur.



## Maintenance

### If faucet exhibits very low flow – Unscrew hose from spray head and clean debris from screen (1) (the screen is located just inside the spray) .

**IMPORTANT: Reinstall screen to the spray head (failure to reinstall the screen could damage internal parts).**

**If faucet leaks from under handle or from spout outlet –** Insert a small screwdriver into slot (2) in button (3) and remove. Loosen set screw (4) inside of handle. Remove handle. Remove cap (5) by rotating counterclockwise. Bonnet may be stiff due to O-ring, but should rotate by hand. Remove bonnet nut (6) by rotating counterclockwise with a wrench. Remove cartridge (7) by pulling directly back on stem. Replace cartridge and reassemble.

**WARNING: Failure to securely tighten bonnet nut with a wrench could result in water damage.**

**Note:** A small amount of water may run out the spout or drip for a very short period after the faucet is shut off. This is a natural occurrence caused by the long flexible hose.

## Mantenimiento

**Si la llave de agua exhibe un flujo muy bajo –** Destornille la manguera de la cabeza del rociador y limpie el residuo de la rejilla (1) (la rejilla está ubicada dentro del rociador) . **IMPORTANTE: Reinstale la rejilla a la cabeza del rociador (el no reinstalar la rejilla podría dañar las partes internas).**

**Si la llave de agua tiene filtración por debajo de la manija o de la salida del surtidor –** Introduzca un destornillador pequeño en la ranura (2) del botón (3) y sáquele. Afloje el tornillo de ajuste (4) dentro de la manija. Quite la manija. Quite el capuchón ó casquet (5) girando en dirección contraria a las manecillas del reloj. El capuchón puede estar tieso como resultado del aro O, pero debe girar a mano. Quite la tuerca tapa (6) girando en dirección contraria a las manecillas del reloj con una llave de tuercas. Quite el cartucho (7) halando la espiga directamente hacia atrás. Coloque otra vez el cartucho y ensamble.

**AVISO: Si no aprieta fijamente la tuerca tapa con una llave de tuercas pudiera resultar en daño por agua.**

**Nota:** Una cantidad pequeña de agua puede escurrirse del surtidor o gotear por un período corto de tiempo después de cerrar el agua. Esto es una ocurrencia natural causada por la manguera larga flexible.

## Entretien

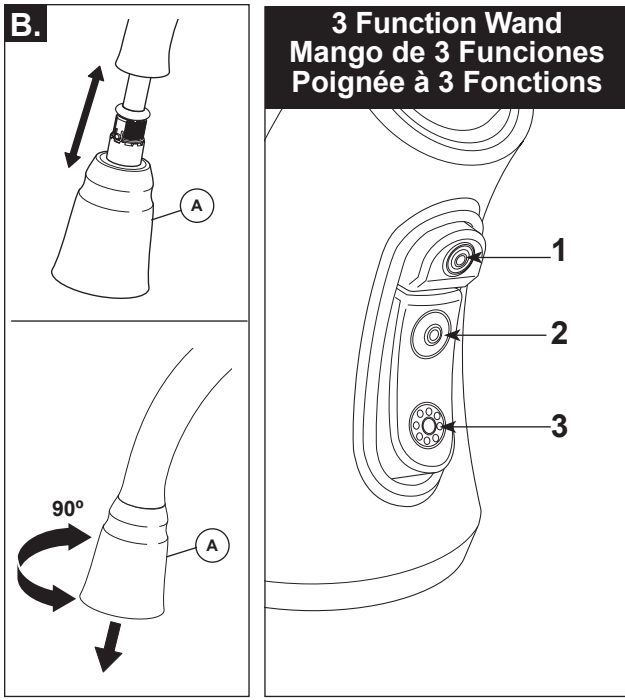
**Si le débit du robinet est très faible –** Vous pouvez aussi séparer le tuyau souple de la tête de pulvérisation en le dévissant et nettoyer le tamis métallique (il est situé immédiatement à l'intérieur de la tête de pulvérisation) (1).

**IMPORTANT: remettez le tamis en place (l'absence du tamis peut entraîner l'endommagement des éléments internes).**

**Si le robinet fuit sous la manette ou par la sortie du bec –** Introduisez un petit tournevis dans la rainure (2) du bouton (3) et enlevez le bouton. Desserrez la vis de calage (4) à l'intérieur de la manette et enlevez la manette. Enlevez le chapeau (5) en le tournant dans le sens antihoraire. Le chapeau peut être légèrement coincé en raison de la présence du joint torique, mais vous devriez réussir à la tourner à la main. Retirez l'écrou à portée sphérique (6) en le tournant dans le sens antihoraire à l'aide d'une clé. Enlevez la cartouche (7) en tirant directement sur la tige. Remplacez la cartouche et remontez le robinet.

**MISE EN GARDE : L'omission de bien serrer l'écrou-chapeau peut entraîner une fuite d'eau et des dommages.**

**Note :** Un peu d'eau peut s'écouler du bec ou dégoutter pendant une très courte période après la fermeture du robinet. Cela est normal en raison de la longueur du flexible.



**3 Function Wand**  
**Mango de 3 Funciones**  
**Poignée à 3 Fonctions**

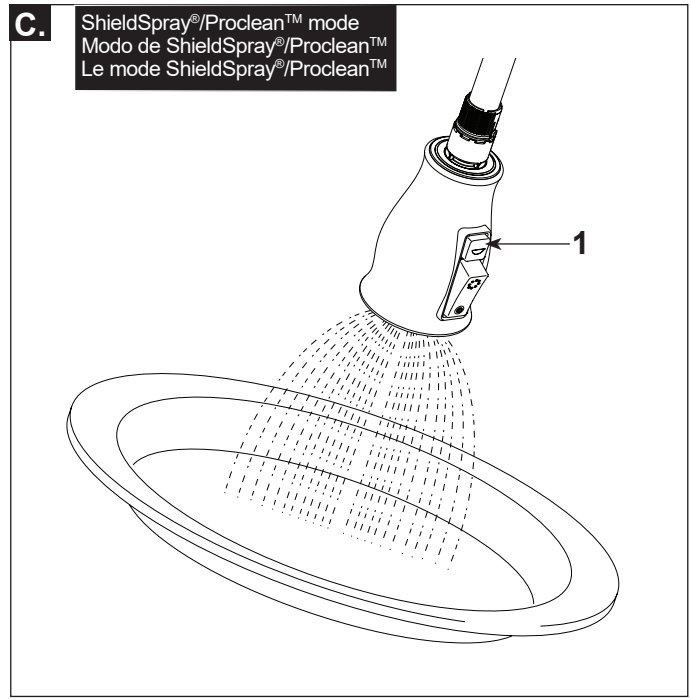
- Button 1** - Standard Flow Aerator
- Button 2** - 1.5 gpm at 60 psi Maximum Aerator
- Button 3** - Spray Mode

**Note - 3 Function Sprayer** returns to position 2 if left in position 1 when the water is turned off.

ShieldSpray®/Proclean™ Models

- Button 1** - ShieldSpray®/Proclean mode™
- Button 2** - Spray Mode
- Button 3** - 1.8 gpm at 60 psi Maximum Aerator

**Note - 3 Function Sprayer** returns to position 3 when button 1 is released.



**C.** ShieldSpray®/Proclean™ mode  
 Modo de ShieldSpray®/Proclean™  
 Le mode ShieldSpray®/Proclean™

**C.** With the wand undocked, press **button 1** to use the ShieldSpray®/Proclean™ mode.

Hold the plate 1/2 way through the bubble.

For optimal performance, use in households with water pressure above 35 psi. The ShieldSpray® feature may appear different at lower water pressures.

**Tip: Don't push the button while docked - always pull it close to the plate.**

- Botón 1** – Aireador de Flujo Estándar
- Botón 2** - 1.5 gpm a 60 psi Aireador Máximo
- Botón 3** – Modo de Rocío

**Note – Mango de 3 funciones:** El mango vuelve a la posición 2 si se deja en la posición 1 cuando el agua está cerrada.

ShieldSpray®/Proclean™ Modelos

- Botón 1** – Configuración ShieldSpray®/Proclean™
- Botón 2** - Configuración de rocío
- Botón 3** – 1.8 gpm a 60 psi Aireador Máximo

**Nota – Mango de 3 funciones:** La función de rocío vuelve a la posición 3 cuando se suelta el botón.

**C.** Con el mango desacoplado, presione el **botón 1** para usar la configuración del rocío ShieldSpray®/Proclean™.

Sostenga el plato en media burbuja protectora.

Para un rendimiento óptimo, use en hogares donde la presión del agua esté por encima de 35 psi. La característica ShieldSpray® puede aparecer diferente si la presión de agua es menor.

**Sugerencia: no presione el botón mientras que está acoplado – siempre acérquelo al plato.**

pour obtenir les trois modes d'écoulement différents.

- Bouton 1** - Aérateur à débit normal
- Bouton 2** - Aérateur à débit maximum de 1,5 gal./min. à 60 lb/po2
- Bouton 3** - Mode de pulvérisation

**Note - Poignée à 3 fonctions :** La poignée retourne à la position 2 si vous la laissez à la position 1 avant de fermer le robinet.

ShieldSpray®/Proclean™ Modèles

- Bouton 1** - Mode ShieldSpray®/Proclean™
- Bouton 2** - Mode de pulvérisation
- Bouton 3** - Aérateur 1,8 gal/min maximum à 60 lb/po2

**Note - Poignée à 3 fonctions :** retourne à la position 3 lorsque vous relâchez le bouton 1.

**C.** Lorsque la poignée de la douchette est déverrouillée, enfoncez le **bouton 1** pour utiliser le mode ShieldSpray®/Proclean™.

Tenez l'assiette à mi-chemin dans la bulle.

Pour que la performance soit optimale, la pression d'eau doit être supérieure à 35 lb/po2. Le jet ShieldSpray® peut être différent à des pressions d'eau plus faibles.

**Conseil : N'enfoncez pas le bouton lorsque la douchette est dans son logement. Approchez toujours la douchette de l'assiette.**

## Limited Warranty on Delta® Faucets

**Parts and Finish:** All parts (other than electronic parts and batteries) and finishes of Delta® faucets purchased from authorized Delta sellers are warranted to the original consumer purchaser to be free from defects in material and workmanship for as long as the original consumer purchaser owns the home in which the faucet was first installed. For commercial purchasers, (a) the warranty period is ten (10) years for multi-family residential applications and (b) five (5) years for all other commercial applications, in each case from the date that the product is received by the original purchaser or their authorized representative (installation contractor, etc.). For purposes of this warranty, the term "multi-family residential application" refers to the purchase of the faucet from an authorized Delta seller by a purchaser who owns but does not live in the residential dwelling in which the faucet is initially installed, such as in a rented or leased single unit or multi-unit detached home (duplex or townhome), or a condominium, apartment building or community living center. The following installations are not considered multi-family residential applications, are excluded from the 10-year warranty and are subject to the 5-year warranty: industrial, institutional or other business premises, such as a dormitory, hospitality premises (hotel, motel or extended stay location), airport, educational facility, long- or short-term healthcare facility (hospital, rehabilitation center, nursing, assisted or staged-care living unit), public space or common area.

**Parts and Finish for Delta® Recertified Faucets:** Delta Faucet Company offers for sale online Delta® Recertified faucets. Delta® Recertified faucets only include faucets that have been certified as such by Delta Faucet Company. All parts (other than electronic parts and batteries) and finishes of these Delta® Recertified faucets are warranted to the original consumer purchaser to be free from defects in material and workmanship for ten (10) years from the date that the product is received by the original purchaser or their authorized representative (installation contractor, etc.). For commercial purchasers, the warranty period is one (1) year from the date that the product is received by the original purchaser or their authorized representative (installation contractor, etc.).

**Electronic Parts:** Electronic parts (other than batteries), if any, of Delta® faucets purchased from [deltafaucet.com](http://deltafaucet.com) or authorized Delta sellers are warranted to the original consumer purchaser to be free from defects in material and workmanship for five (5) years from the date that the product is received by the original purchaser or their authorized representative (installation contractor, etc.) or, for commercial purchasers, for one (1) year from the date that the product is received by the original purchaser or their authorized representative (installation contractor, etc.). No warranty is provided on batteries.

**What We Will Do:** Delta Faucet Company will repair or replace, free of charge, during the applicable warranty period (as described above), any part or finish that proves defective in material and/or workmanship under normal installation, use and service. Delta Faucet Company may, in its sole discretion, use new, refurbished or recertified parts or products for such repair or replacement. If repair or replacement is not practical, Delta Faucet Company may elect to refund the purchase price in exchange for the return of the product. **These are your exclusive remedies.**

**What Is Not Covered:** Because Delta Faucet Company is unable to control the quality of Delta products sold by unauthorized sellers, unless otherwise prohibited by law, this warranty does not cover Delta products purchased from unauthorized sellers.

Any labor charges incurred by the purchaser to repair, replace, install or remove this product are not covered by this warranty. Delta Faucet Company shall not be liable for any damage to the faucet resulting from reasonable wear and tear, outdoor use, misuse (including use of the product for an unintended application), freezing water, abuse, neglect or improper or incorrectly performed installation, maintenance or repair, including failure to follow the applicable care and cleaning instructions. Delta Faucet Company recommends using a professional plumber for all installation and repair of faucets. We also recommend that you use only genuine Delta® replacement parts.

**What You Must Do To Obtain Warranty Service or Replacement Parts:** A warranty claim may be made and replacement parts may be obtained by calling 1 800 345 DELTA (3358) or by contacting us by mail or online as follows (please include your model number, date of original purchase and documentation of the date of receipt of the product by the original purchaser or their authorized representative (installation contractor, etc.)):

**In the United States and Mexico:**

Delta Faucet Company  
55 E. 111th Street  
Carmel, IN 46280  
Attention: Warranty Service  
[www.deltafaucet.com/service-parts/contact-us](http://www.deltafaucet.com/service-parts/contact-us)

**In Canada:**

Masco Canada Limited, Plumbing Group  
Technical Service Centre  
350 South Edgeware Road  
St. Thomas, Ontario, Canada N5P 4L1  
Attention: Customer Service  
<http://www.deltafaucet.ca/customersupport/assistance.html>

Proof of purchase (original sales receipt showing purchase date) and documentation of the date of receipt of the product by the original purchaser or their authorized representative (installation contractor, etc.) from the original purchaser must be made available to Delta Faucet Company for all warranty claims unless the purchaser has registered the product with Delta Faucet Company or the product is a Delta® Recertified product purchased from [deltafaucet.com](http://deltafaucet.com). This warranty applies only to Delta® faucets manufactured after January 1, 2019 and installed in the United States of America, Canada and Mexico.

**Limitation on Duration of Implied Warranties:** Please note that some states/provinces (including Quebec) do not allow limitations on how long an implied warranty lasts, so the below limitations may not apply to you. TO THE MAXIMUM EXTENT PERMITTED BY APPLICABLE LAW, ANY IMPLIED WARRANTY, INCLUDING THE IMPLIED WARRANTIES OF MERCHANTABILITY AND OF FITNESS FOR A PARTICULAR PURPOSE, IS LIMITED TO THE STATUTORY PERIOD OR THE DURATION OF THIS WARRANTY, WHICHEVER IS SHORTER.

**Limitation of Special, Incidental or Consequential Damages:** Please note that some states/provinces (including Quebec) do not allow the exclusion or limitation of special, incidental or consequential damages, so the below limitations and exclusions may not apply to you. TO THE MAXIMUM EXTENT PERMITTED BY APPLICABLE LAW, THIS WARRANTY DOES NOT COVER, AND DELTA FAUCET COMPANY SHALL NOT BE LIABLE FOR, ANY SPECIAL, INCIDENTAL OR CONSEQUENTIAL DAMAGES (INCLUDING LABOR CHARGES TO REPAIR, REPLACE, INSTALL OR REMOVE THIS PRODUCT), WHETHER ARISING OUT OF BREACH OF ANY EXPRESS OR IMPLIED WARRANTY, BREACH OF CONTRACT, TORT, OR OTHERWISE. DELTA FAUCET COMPANY SHALL NOT BE LIABLE FOR ANY DAMAGE TO THE FAUCET RESULTING FROM REASONABLE WEAR AND TEAR, OUTDOOR USE, MISUSE (INCLUDING USE OF THE PRODUCT FOR AN UNINTENDED APPLICATION), FREEZING WATER, ABUSE, NEGLIGENCE OR IMPROPER OR INCORRECTLY PERFORMED INSTALLATION, MAINTENANCE OR REPAIR, INCLUDING FAILURE TO FOLLOW THE APPLICABLE INSTALLATION, CARE AND CLEANING INSTRUCTIONS. Notice to residents of the State of New Jersey: The provisions of this warranty, including its limitations, are intended to apply to the fullest extent permitted by the laws of the State of New Jersey.

**Additional Rights:** This warranty gives you specific legal rights, and you may also have other rights which vary from state/province to state/province. This is Delta Faucet Company's exclusive written warranty and the warranty is not transferable.

If you have any questions or concerns regarding our warranty, please contact us as provided above or view our Warranty FAQs at [www.deltafaucet.com](http://www.deltafaucet.com).

© 2023 Masco Corporation of Indiana

### Garantía limitada de las llaves de agua/grifos Delta® Faucet

**Piezas y Acabado:** Todas las piezas (excepto las piezas electrónicas y las baterías) y los acabados de las llaves de agua Delta® comprados a vendedores autorizados de Delta están garantizados para el comprador consumidor original estar libres de defectos de materiales y mano de obra durante el tiempo que el comprador consumidor original sea dueño de la casa en la que la llave de agua se instaló por primera vez. Para compradores comerciales, (a) el período de garantía es de diez (10) años para aplicaciones residenciales multifamiliares y (b) cinco (5) años para todas las demás aplicaciones comerciales, en cada caso a partir de la fecha en que el comprador original o su representante autorizado (contratista de instalación, etc.) recibió el producto. A los efectos de esta garantía, el término "aplicación residencial multifamiliar" se refiere a la compra de la llave de agua a un vendedor autorizado de Delta por parte de un comprador que es propietario pero no vive en la vivienda residencial en la que se instaló inicialmente la llave de agua, como en una unidad individual alquilada o arrendada o en una vivienda unifamiliar de varias unidades (dúplex o casa adosada), o en un condominio, edificio de apartamentos o centro de vivienda comunitaria. Las siguientes instalaciones no se consideran aplicaciones residenciales multifamiliares, están excluidas de la garantía de 10 años y están sujetas a la garantía de 5 años: instalaciones industriales, institucionales u otras instalaciones comerciales, como dormitorios, instalaciones de hospitalidad (hotel, motel o ubicación de estadía prolongada), aeropuerto, centro educativo, centro de atención médica a corto o largo plazo (hospital, centro de rehabilitación, enfermería, unidad de vivienda asistida o de atención por etapas), espacio público o área común.

**Piezas y acabados para llaves de agua recertificadas Delta® Recertified:** Delta Faucet Company ofrece a la venta en línea llaves de agua/grifos recertificados Delta®. Los grifos Recertificados de Delta® solo incluyen llaves de agua que han sido certificadas como tales por Delta Faucet Company. Todas las piezas (excepto las piezas electrónicas y las pilas) y los acabados de estas llaves Recertificadas de Delta® están garantizados al comprador consumidor original estar libres de defectos de materiales y de mano de obra durante diez (10) años a partir de la fecha en que el comprador original o su representante autorizado (contratista de instalación, etc.) recibió el producto. Para compradores comerciales, el período de garantía es de un (1) año a partir de la fecha en que el comprador original o su representante autorizado (contratista de instalación, etc.) recibió el producto.

**Partes electrónicas:** Se garantiza al comprador consumidor original que las piezas electrónicas (que no sean pilas), si las hubiera, de las llaves de agua Delta® compradas en [deltafaucet.com](http://deltafaucet.com) o a vendedores autorizados de Delta, estar libres de defectos de materiales y de mano de obra durante cinco (5) años a partir de la fecha en que el comprador original o su representante autorizado (contratista de instalación, etc.) recibió el producto o para compradores comerciales, durante un (1) año a partir de la fecha en que el comprador original o su representante autorizado (contratista de instalación, etc.) recibió el producto. No se proporciona garantía en las pilas.

**Lo que haremos:** Delta Faucet Company reparará o reemplazará, sin cargo, durante el período de garantía aplicable (como se describe anteriormente), cualquier pieza o acabado que resulte defectuoso en material y/o mano de obra en condiciones normales de instalación, uso y servicio. Delta Faucet Company puede, a su exclusivo criterio, usar piezas o productos nuevos, reacondicionados o recertificados para dicha reparación o reemplazo. Si la reparación o el reemplazo no son prácticos, Delta Faucet Company puede optar por reembolsar el precio de compra a cambio de la devolución del producto. Estos son sus remedios exclusivos.

**Lo que no está cubierto:** Debido a que Delta Faucet Company no puede controlar la calidad de los productos Delta vendidos por vendedores no autorizados, a menos que la ley lo prohíba, esta garantía no cubre los productos Delta comprados a vendedores no autorizados.

Esta garantía no cubre los cargos de mano de obra incurridos por el comprador para reparar, reemplazar, instalar o quitar este producto. Delta Faucet Company no será responsable de ningún daño a la llave de agua/grifo que resulte del desgaste razonable, uso en exteriores, mal uso (incluido el uso del producto para una aplicación no deseada), agua helada, abuso, negligencia o instalación o mantenimiento inadecuados o realizados incorrectamente o reparación, incluido el incumplimiento de las instrucciones de cuidado y limpieza correspondientes. Delta Faucet Company recomienda utilizar un plomero profesional para toda la instalación y reparación de las llaves de agua. También le recomendamos que utilice únicamente piezas de repuesto originales de Delta®.

**Lo que debe hacer para obtener el servicio de garantía o las piezas de repuesto:** Se puede realizar un reclamo de garantía y obtener piezas de repuesto llamando al 1 800 345 DELTA (3358) o comunicándose con nosotros por correo o en línea de la siguiente manera (incluya su número de modelo, fecha de compra original y documentación con la fecha cuando el comprador original o su representante autorizado (contratista de instalación, etc.) recibió el producto):

**En los Estados Unidos y México:**  
Delta Faucet Company  
55 E. 111th Street  
Carmel, IN 46280  
Attention: Warranty Service  
[www.deltafaucet.com/service-parts/contact-us](http://www.deltafaucet.com/service-parts/contact-us)

**En Canadá:**  
Masco Canada Limited, Plumbing Group  
Technical Service Centre  
350 South Edgeware Road  
St. Thomas, Ontario, Canada N5P 4L1  
Attention: Customer Service  
<http://www.deltafaucet.ca/customersupport/assistance.html>

El comprobante de compra (recibo de venta original que muestre la fecha de compra) y la documentación con la fecha cuando el comprador original o su representante autorizado (contratista de instalación, etc.) recibió el producto deben estar disponibles para Delta Faucet Company para todos reclamos de garantía a menos que el comprador haya registrado el producto con Delta Faucet Company o el producto sea un producto Delta® Recertified comprado en [deltafaucet.com](http://deltafaucet.com). Esta garantía se aplica solo a las llaves de agua Delta® fabricadas después del 1 de enero de 2019 e instaladas en los Estados Unidos de América, Canadá y México.

**Limitación de la duración de las garantías implícitas:** Tenga en cuenta que algunos estados/provincias (incluido Quebec) no permiten limitaciones sobre la duración de una garantía implícita, por lo que es posible que las siguientes limitaciones no se apliquen en su caso. EN LA MEDIDA MÁXIMA PERMITIDA POR LA LEY APLICABLE, CUALQUIER GARANTÍA IMPLÍCITA, INCLUIDAS LAS GARANTÍAS IMPLÍCITAS DE COMERCIABILIDAD E IDONEIDAD PARA UN FIN DETERMINADO, SE LIMITA AL PERÍODO LEGAL O A LA DURACIÓN DE ESTA GARANTÍA, EL QUE SEA MÁS BREVE.

**Limitación de Daños Especiales, Incidentales o Consecuentes:** Tenga en cuenta que algunos estados/provincias (incluido Quebec) no permiten la exclusión o limitación de daños especiales, incidentales o consecuentes, por lo que es posible que las siguientes limitaciones y exclusiones no se apliquen en su caso. EN LA MEDIDA MÁXIMA PERMITIDA POR LA LEY APLICABLE, ESTA GARANTÍA NO CUBRE, Y DELTA FAUCET COMPANY NO SERÁ RESPONSABLE DE NINGÚN DAÑO ESPECIAL, INCIDENTAL O CONSECUENTE (INCLUIDOS LOS CARGOS DE MANO DE OBRA PARA REPARAR, REEMPLAZAR, INSTALAR O QUITAR ESTE PRODUCTO), YA SEA QUE SURJA FUERA DEL INCUMPLIMIENTO DE CUALQUIER GARANTÍA EXPRESA O IMPLÍCITA, INCUMPLIMIENTO DE CONTRATO, AGRAVIO U OTRO. DELTA FAUCET COMPANY NO SERÁ RESPONSABLE DE CUALQUIER DAÑO A LA LLAVE DE AGUA O RESULTANTE DEL DESGASTE Y DESGASTE RAZONABLE, USO AL AIRE LIBRE, USO INCORRECTO (INCLUYENDO EL USO DEL PRODUCTO PARA UNA APLICACIÓN NO DESEADA), AGUA CONGELADA, ABUSO, DESCUIDO O INSTALACIÓN O MANTENIMIENTO IMPROPIOS O REALIZADOS INCORRECTAMENTE O REPARACIÓN, INCLUYENDO EL INCUMPLIMIENTO DE LAS INSTRUCCIONES DE INSTALACIÓN, CUIDADO Y LIMPIEZA CORRESPONDIENTES. Aviso para los residentes del Estado de Nueva Jersey: Las disposiciones de esta garantía, incluidas sus limitaciones, se aplicarán en la medida máxima permitida por las leyes del Estado de Nueva Jersey.

**Derechos adicionales:** Esta garantía le otorga derechos legales específicos, y es posible que también tenga otros derechos que varían de un estado/provincia a otro estado/provincia. Esta es la garantía escrita exclusiva de Delta Faucet Company, y la garantía no es transferible.

Si tiene alguna pregunta o inquietud con respecto a nuestra garantía, comuníquese con nosotros como se indicó anteriormente o visite en nuestro sitio web Preguntas Frecuentes FAQ en [www.deltafaucet.com](http://www.deltafaucet.com)

© 2023 Masco Corporation de l'Indiana

## Garantie limitée des robinets Delta®

**Pièces et finis:** Tous les pièces (autres que les composants électroniques et les piles) et les finis de ce robinet Delta® achetés chez des vendeurs Delta autorisés sont protégés contre les défauts de matériel et les vices de fabrication par une garantie qui est consentie au premier acheteur au détail et qui demeure valide tant que celui-ci demeure propriétaire de la maison dans laquelle le robinet a été installé. En ce qui concerne les acheteurs commerciaux, la période de garantie est a) de dix (10) ans pour les applications résidentielles multifamiliales et b) de cinq (5) ans pour toutes les autres applications commerciales, à compter, dans chaque cas, de la date de réception du produit par le premier acheteur ou son représentant autorisé (installateur, etc.). Dans le libellé de la présente garantie, on entend par « application résidentielle multifamiliale », un robinet acheté chez un vendeur Delta autorisé par un acheteur qui est propriétaire d'un logement résidentiel sans l'habiter et installé pour la première fois dans cet immeuble. Il peut s'agir d'un immeuble individuel comportant un ou plus d'un logement loué à court terme ou à long terme (duplex ou groupe de maisons en rangée), d'un condominium, d'un immeuble d'habitation ou d'un centre d'intégration communautaire. Les applications décrites ci-après ne sont pas considérées comme des applications multifamiliales et elles sont couvertes par la garantie de 5 ans plutôt que par la garantie de 10 ans. Ce sont les suivantes : robinets installés dans un bâtiment industriel, un bâtiment institutionnel et un autre immeuble commercial, notamment une résidence d'étudiants, un lieu d'hébergement (hôtel, motel ou lieu de séjour prolongé), un aéroport, un établissement d'enseignement, un établissement de soins de santé de courte ou de longue durée (hôpital, centre de réadaptation, maison de soins infirmiers), un endroit public ou un lieu commun.

**Pièces et finis des robinets recertifiés Delta®:** Delta Faucet Company offre en vente en ligne des robinets recertifiés Delta®. Les robinets recertifiés Delta® comprennent uniquement les robinets qui ont été certifiés à ce titre par Delta Faucet Company. Tous les pièces (autres que les pièces électroniques et les piles) et les finis de ces robinets Delta® recertifiés sont protégés contre les défauts de matériel et les vices de fabrication par une garantie qui est consentie au premier acheteur au détail et qui est d'une durée de dix (10) ans à compter de la date de réception du produit par le premier acheteur ou son représentant autorisé (installateur, etc.). En ce qui concerne les acheteurs commerciaux, la période de garantie est d'un (1) an à compter de la date de réception du produit par le premier acheteur ou son représentant autorisé (installateur, etc.).

**Composants électroniques:** Les composants électroniques (autres que les piles), le cas échéant, de ce robinet Delta® qui ont été achetés auprès de [deltafaucet.com](http://deltafaucet.com) ou de vendeurs Delta autorisés sont protégés contre les défauts de matériel et les vices de fabrication par une garantie consentie au premier acheteur au détail qui est de cinq (5) ans à compter de la date de réception du produit par le premier acheteur ou son représentant autorisé (installateur, etc.). En ce qui concerne les acheteurs commerciaux, la période de garantie est d'un (1) an à compter de la date de réception du produit par le premier acheteur ou son représentant autorisé (installateur, etc.). Les piles ne sont pas couvertes par la garantie.

**Ce que nous ferons:** Delta Faucet Company réparera ou remplacera gratuitement, pendant la période de garantie applicable (décrite ci-dessus), toute pièce ou tout fini qui présentera une déficience de matériel et/ou un vice de fabrication pour autant que le produit ait été installé, utilisé et entretenu normalement. Delta Faucet Company peut, à sa seule discrétion, utiliser des produits neufs, remis à neuf ou recertifiés ou des pièces neuves, remises à neuf ou recertifiées pour effectuer la réparation ou le remplacement. S'il n'est pas utile de réparer ou de remplacer le produit, Delta Faucet Company pourra rembourser le prix d'achat en échange du produit retourné. Il s'agit de vos seuls recours.

**Ce qui n'est pas couvert:** Étant donné que Delta Faucet Company n'est pas en mesure de contrôler la qualité des produits vendus par des vendeurs non autorisés, la présente garantie ne s'applique pas aux produits Delta vendus par des vendeurs non autorisés, à moins que cette restriction ne soit interdite par la loi.

La présente garantie ne couvre pas les frais de main-d'œuvre encourus par l'acheteur pour la réparation, le remplacement, l'installation ou la dépose du robinet. Delta Faucet Company se dégage de toute responsabilité à l'égard de toute détérioration du robinet résultant d'une usure raisonnable et des dommages causés par une utilisation à l'extérieur, un mauvais usage (y compris l'utilisation du produit à des fins autres que celles auxquelles il est destiné), le gel de l'eau, un usage abusif, la négligence ou l'utilisation d'une méthode d'installation, de maintenance ou de réparation incorrecte ou inadéquate, y compris les dommages résultant du non-respect des instructions de nettoyage et d'entretien applicables. Delta Faucet Company vous recommande de confier tous les travaux d'installation et de réparation à un plombier professionnel. Nous vous recommandons également d'utiliser uniquement des pièces de rechange Delta® authentiques.

**Ce que vous devez faire pour vous prévaloir de la garantie ou obtenir des pièces de rechange:** Vous pouvez présenter une réclamation en vertu de la garantie et obtenir des pièces de rechange en appelant au 1-800-345-DELTA (3358) ou en communiquant avec nous à l'une des adresses postales ou des adresses de courriel indiquées ci-dessous (veuillez fournir le numéro de modèle, la date de l'achat initial et la documentation attestant la date de réception du produit par le premier acheteur ou son représentant autorisé (installateur, etc.)).

### Aux États-Unis et au Mexique

Delta Faucet Company  
55 E. 111th Street  
Carmel, IN 46280  
Attention: Warranty Service  
[www.deltafaucet.com/service-parts/contact-us](http://www.deltafaucet.com/service-parts/contact-us)

### Au Canada:

Masco Canada Limited, Groupe plomberie  
Centre de services techniques  
350, chemin South Edgeware  
St. Thomas (Ontario) Canada N5P 4L1  
À l'attention du Service à la clientèle  
<http://www.deltafaucet.ca/customersupport/assistance.html>

La preuve d'achat (original du reçu du premier acheteur montrant la date d'achat) et la documentation attestant la date de réception du produit par le premier acheteur ou son représentant autorisé (installateur, etc.) doivent être présentées à Delta Faucet Company pour toutes les demandes en vertu de la garantie, sauf si le produit a été enregistré auprès de Delta Faucet Company ou si le produit est un produit recertifié Delta® acheté auprès de [deltafaucet.com](http://deltafaucet.com). La présente garantie s'applique uniquement aux robinets Delta® fabriqués après le 1er janvier 2019 et installés aux États-Unis d'Amérique, au Canada et au Mexique.

**Limitation de la durée des garanties implicites:** Veuillez noter qu'il est interdit, dans certains États ou certaines provinces (y compris le Québec), de limiter la durée d'une garantie implicite. Par conséquent, les limitations mentionnées ci-dessous peuvent ne pas s'appliquer à vous. DANS LA MESURE DE CE QUI EST PERMIS PAR LA LOI APPLICABLE, TOUTES LES GARANTIES IMPLICITES, Y COMPRIS LES GARANTIES IMPLICITES DE QUALITÉ MARCHANDE ET D'ADÉQUATION À UN USAGE PARTICULIER, SE LIMITENT À LA PÉRIODE FIXÉE PAR LA LOI OU À LA DURÉE DE LA PRÉSENTE GARANTIE, LA PLUS COURTE DES DEUX PÉRIODES S'APPLIQUANT.

**Limitation des dommages particuliers, consécutifs ou indirects:** Veuillez noter qu'il est interdit, dans certains États ou certaines provinces (y compris le Québec), d'exclure ou de limiter les dommages particuliers, consécutifs ou indirects. Par conséquent, les limitations et les exclusions mentionnées ci-dessous peuvent ne pas s'appliquer à vous. DANS LA MESURE DE CE QUI EST PERMIS PAR LA LOI APPLICABLE, DELTA FAUCET COMPANY SE DÉGAGE DE TOUTE RESPONSABILITÉ À L'ÉGARD DES DOMMAGES PARTICULIERS, CONSÉCUTIFS ET INDIRECTS (Y COMPRIS LES FRAIS DE MAIN-D'ŒUVRE POUR LA RÉPARATION, LE REMPLACEMENT, L'INSTALLATION OU LA DÉPOSE DU PRODUIT), PEU IMPORTE QU'ILS DÉCOULENT D'UNE RUPTURE D'UNE GARANTIE IMPLICITE OU EXPLICITE, D'UNE RUPTURE DE CONTRAT, D'UN DÉLIT CIVIL OU D'UNE AUTRE CAUSE. DELTA FAUCET COMPANY SE DÉGAGE DE TOUTE RESPONSABILITÉ À L'ÉGARD DE TOUTE DÉTÉRIORATION DU ROBINET RÉSULTANT D'UNE USURE RAISONNABLE ET DES DOMMAGES CAUSÉS PAR UNE UTILISATION À L'EXTÉRIEUR, UN MAUVAIS USAGE (Y COMPRIS L'UTILISATION DU PRODUIT À DES FINS AUTRES QUE CELLES AUXQUELLES IL EST DESTINÉ), LE GEL DE L'EAU, UN USAGE ABUSIF, LA NÉGLIGENCE OU L'UTILISATION D'UNE MÉTHODE D'INSTALLATION, DE MAINTENANCE OU DE RÉPARATION INCORRECTE OU INADÉQUATE, Y COMPRIS LES DOMMAGES RÉSULTANT DU NON-RESPECT DES INSTRUCTIONS D'INSTALLATION, D'ENTRETIEN ET DE NETTOYAGE APPLICABLES, ET CES DOMMAGES NE SONT PAS COUVERTS PAR LA GARANTIE. Avis à l'intention des résidents de l'État du New Jersey : Les dispositions de la présente garantie, y compris ses limitations, s'appliquent dans toute la mesure permise par les lois de l'État du New Jersey.

**Droits supplémentaires:** La présente garantie vous procure des droits particuliers reconnus par la loi. Vous pouvez avoir d'autres droits qui varient selon l'État ou la province.

La présente garantie écrite est la seule garantie offerte par Delta Faucet Company et elle n'est pas transférable.

Si vous avez des questions ou des préoccupations concernant notre garantie, veuillez communiquer avec nous de la manière indiquée ci-dessus ou consulter notre FAQ sur la garantie à [www.deltafaucet.com](http://www.deltafaucet.com).

© 2023 Masco Société de l'Indiana



